

Technical Specifications

STARVIS 5MP IR Bullet AI IP Camera

FOR EXTERNAL APPLICATION

- 30fps at 5MP
- H.265, H.264 and MJPEG compression
- Embedded VCA Technology Video Analytics
- Deep Learning - Object Tracker/People Tracker
- SMART Bitrate Control and Region of Interest
- Remote zoom and focus lens (Auto-focus)



| CAMERA | |
|---|--|
| Model | IPAi685S-MR |
| Image Sensor | SONY STARVIS2 1/2.8" 5.17M CMOS |
| Effective Pixels | 2592(H) x 1944(V) |
| Scanning System | Progressive scanning |
| AGC Control | Auto |
| IRIS Type | P-IRIS |
| Minimum Illumination | Color: 0.04 Lux / BW : 0 Lux (IR LED On) |
| Lens | 2.7 – 13.5 mm, F1.4 |
| Angle of View | Horizontal: Approx. 98.3° (Wide) to 31.6° (Tele) |
| Shutter Time | Auto / Manual: 1/30 ~ 1/32,000, Anti-Flicker, Slow Shutter (1/2, 1/3, 1/5, 1/6, 1/7.5, 1/10) |
| Day & Night | True Day & Night (Removable IR-cut filter) |
| Wide Dynamic Range | True WDR |
| S/N Ratio | 50 dB |
| IR ILLUMINATOR | |
| IR LED | 3 x High Power LED |
| IR Working Distance | 40 m |
| VIDEO | |
| Video Compression | H.265, H.264, MJPEG |
| Profile | H.264 : MP / HP H.265 : MP |
| Multiple Profile Streaming Performance | 2592x1944/30 + 480p30 with H.264,H265 + MJPEG |
| Max Resolution | 2592 x 1944 |
| Video Bit Rate | 100Kbps ~ 25Mbps Multi-rate for Preview and Recording |
| Bitrate Control | Multi Streaming CBR/VBR (Controllable frame rate and Bandwidth) |
| Digital Noise Reduction | 3D-DNR |
| Privacy Mask | 16 programmable zones |
| Special Features | SMART Bitrate Control, Region of Interest |
| Other Image Processing | Configurable Exposure, White Balance, Sharpness |
| Image Orientation | Flip / Mirror / Corridor Mode |
| Analogue Output | 1 (Installation only) CVBS 1.0V p-p (75Ω), 4:3 aspect ratio |

| AUDIO | |
|-------------------------------|---|
| Audio Streaming | Two way |
| Audio Compression | G.711 u-law 8KHz, AAC-LC 48Kbps at 8KHz |
| Audio input | Supply voltage : 3VDC(3mA), Input impedance : 3K Ohm |
| Audio output | Line Out, MAX. Output Level : 1Vrms |
| EVENT | |
| Event Trigger | Motion Alarm, Temperature critical, DI, VCA(AI) |
| Pre-Post Recording | Pre: 1~5 sec Post: 1~240 sec |
| Event Notification | FTP, E-mail, Alarm-out, SD card |
| NETWORK | |
| Ethernet Standard | 10 / 100Base-T |
| IP | IPv4 |
| Protocol | TCP/IP, UDP, AutoIP, RTP(UDP/TCP), RTSP, NTP, HTTP, HTTPS, SSL, DNS, DDNS, DHCP, FTP, SMTP, ICMP, SNMPv1/v2/v3(MIB-2), UPNP, RTCP, SSH, ONVIF |
| Security | HTTPS(SSL), IP filtering, 802.1x, Digest Authentication |
| Plug In | ONVIF Profile S/T/M, CGI API |
| GENERAL | |
| Material | Aluminum Die-casting, White |
| External I/O Terminals | 1 x Alarm In / 1 x Alarm Out |
| Language on webpage | English |
| Power Source | DC12V, PoE(IEEE 802.3af Class 3) |
| Power Consumption | DC12V Max 8.8W, PoE Max 11.1W |
| Operating Conditions | Humidity 10 ~ 90% RH (non-condensing) [DC12V / PoE] -30°C ~ 60°C (-22°F ~ 140°F) |
| Approvals | FCC, CE, IP67, IK10 |
| NDAA | Compliant |
| Weight | 0.97 kg |
| Dimensions (D x H) | 197.5mm x 86mm |
| EDGE STORAGE | |
| Storage | 1x microSD / microSDHC / microSDXC (card not included) |

Technical Specifications

VIDEO ANALYTICS (Optional)

Features

Analytics Engine VCA Technology's advanced tracking algorithm with rich library of detection behaviors

Detection Zones and Rules 40 rules & zones (Multi-segment Polygons and Lines) as standard

Intrusion Detection Detection of the presence of an object

Tamper Detection Supported as standard

Detection Behavior Enter, Exit, Appear, Disappear, Stop, Direction, Dwell filter, Tailgating

Logical Rules Extends standard rules to allow various combinations of the inputs

Deep Learning Object Tracking Deep learning based object identification (as Person, Cyclist, Car, Van, Truck, Motorcycle, Bicycle, Bag) removes false object detection

Deep Learning People Tracking Deep learning based people identification and tracking

Counting & Line High accuracy people and vehicle counting, 20 counters in total

Meta Data JSON format, Plain XML format that contains the event information and the tracked object information with the bounding box, tail history, object attributions (object type and color)



Intrusion Detection



Zones & lines



Tamper Detection



Appear Filter



Disappear Filter



Dwell Filter



Enter Filter



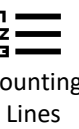
Exit Filter



Stopped Filter



Counting



Counting Lines



Object Color



Direction Filter



Logical Rules



Tailgating Filter



Metadata



DL People Tracker



DL Object Tracker



QR Code Reader



Face

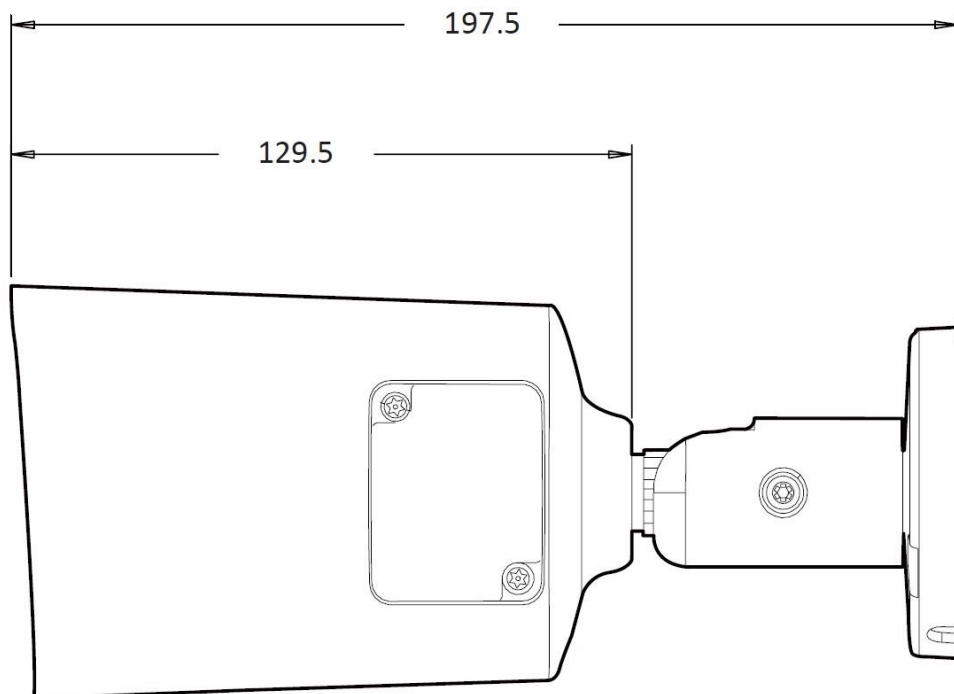
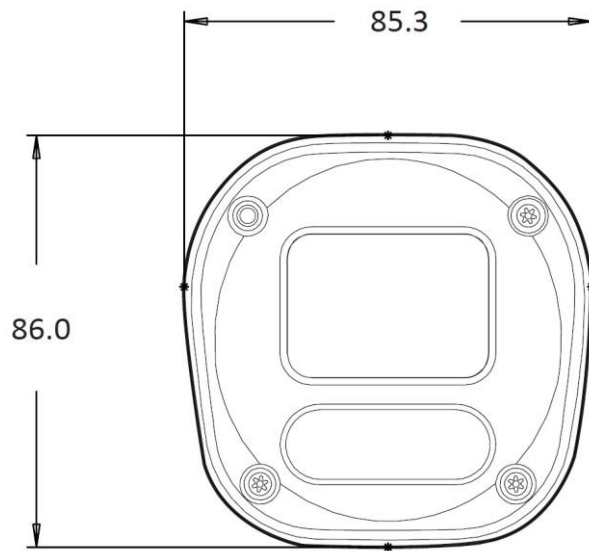


Vehicle

Technical Specifications

Dimensions

(Unit: mm)



Accessories



BP01



BCO01



BJC12