

## SC-630M

### PAGING HORN SPEAKER



The SC-630M is a compact, highly intelligible speaker suited to public address announcement applications. Its external speaker component finished with powder coating, and stainless steel bracket and screws ensure the unit's weatherproof capability.

### Key features

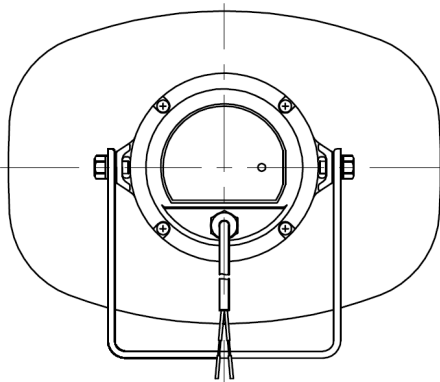
- Delivers Clear Audio: High sound pressure level (113 dB) ensures intelligible voice announcements.
- Weather-Resistant Design: IP65-rated and corrosion-resistant materials support outdoor use in typical conditions.
- Durable Build: Shock-resistant aluminum horn and stainless steel hardware provide long-term reliability.
- Flexible System Integration: Equipped with an impedance selector for easy matching in distributed audio systems.

## Specifications

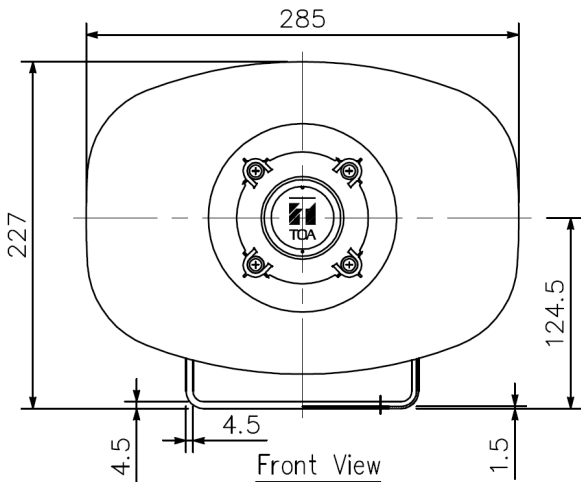
Rated Input	30 W
Rated Impedance	100 V line: 330 $\Omega$ (30 W), 670 $\Omega$ (15 W), 1 k $\Omega$ (10 W), 2 k $\Omega$ (5 W) 70 V line: 170 $\Omega$ (30 W), 330 $\Omega$ (15 W), 670 $\Omega$ (7.5 W), 1 k $\Omega$ (5 W), 2 k $\Omega$ (2.5 W)
Sound Pressure Level	113 dB (1 W, 1 m at 500 Hz to 2.5 kHz peak level)
Frequency Response	250 Hz - 10 kHz
Polarity	Hot: Black, Com: White
Dust/Water Protection	IP65
Operating Temperature	-20 °C to +55 °C (-4 °F to 131 °F) (must be free from dew condensation)
Finish	Horn flare: Aluminum, off-white, powder coating Reflector horn and rear cover: ABS resin, off-white Bracket, screws and bolts: Stainless steel Speaker cable: Polyvinyl chloride insulated cabtyre cable (6 mm in diameter, 600 mm in length)
Dimensions	285 (W) x 227 (H) x 277 (D) mm
Weight	2 kg
Optional Accessories	Swivel bracket: YS-151S (Can be used instead of the supplied bracket.)

Note: Avoid installing the speaker in locations which vibrate considerably or under environments easy to be oil-contaminated.

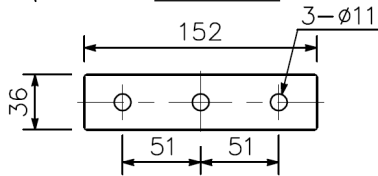
# Dimensions



Rear View



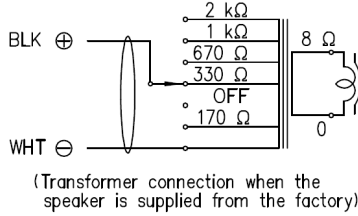
Front View



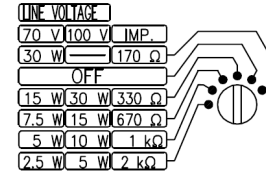
Bracket dimensional diagram

UNIT:mm

CAUTION  
NEVER SET THE SWITCH TO " " POSITION  
FOR 100 V LINE OPERATION, AS DOING SO MAY  
RESULT IN DAMAGE TO THE SPEAKER.

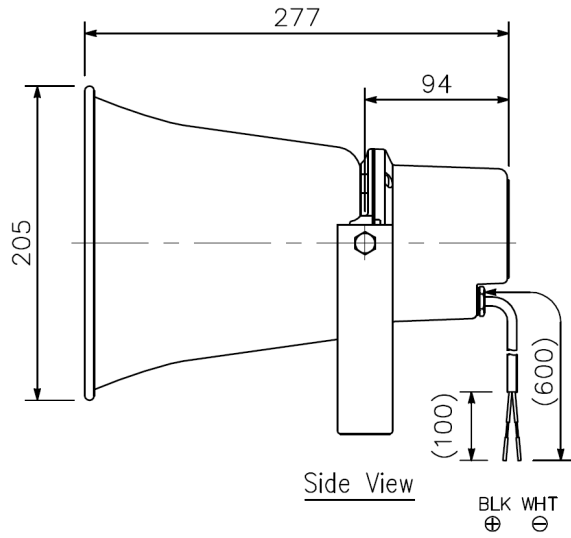


Wiring diagram



Set the impedance selector to the desired impedance.

Impedance selection



Side View

Note: Numerical values in parentheses are for reference only.

## A&E specifications

Wetterfester Druckkammerlautsprecher gemäß IP 65 in 100V-Technik, ovaler Trichter aus pulverbeschichtetem Aluminium und Treiberabdeckung aus ABS Kunststoff, Schwenkbügel aus rostfreiem Stahl zur genauen Ausrichtung des Lautsprechers, rückseitiger Wahlschalter zur Leistungsanpassung

Nennbelastbarkeit: 30 W

Leistungsanpassung: 30W, 15W, 10W, 5W

Schutzgrad: IP 65

Übertragungsbereich: 250 – 12500 Hz

Schalldruck (1W/1m): 113 dB

Maße (B x H x T): 285 x 227 x 277 mm

Arbeitstemperaturbereich: -20°C - +55°C

Farbe: weiß (RAL 9010)

Fabrikat: TOA

Typ: SC-630M