

SC-610M

PAGING HORN SPEAKER



The SC-610M is a compact, highly intelligible speaker suited to public address announcement applications. Its external speaker component finished with powder coating, and stainless steel bracket and screws ensure the unit's weatherproof capability.

Key features

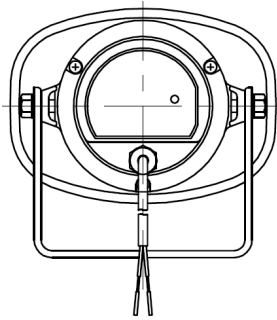
- **Delivers Clear Audio:** High sound pressure level (110 dB) ensures intelligible voice announcements.
- **Weather-Resistant Design:** IP65-rated and corrosion-resistant materials support outdoor use in typical conditions.
- **Durable Build:** Shock-resistant aluminum horn and stainless steel hardware provide long-term reliability.
- **Compact and Lightweight:** Easy to install in various locations, weighing only 1.2 kg.
- **Flexible System Integration:** Equipped with an impedance selector for easy matching in distributed audio systems.

Specifications

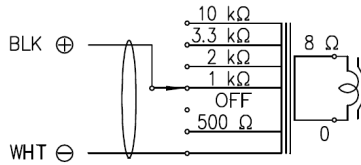
Rated Input	10 W
Rated Impedance	100 V line: 1 k Ω (10 W), 2 k Ω (5 W), 3.3 k Ω (3 W), 10 k Ω (1 W) 70 V line: 500 Ω (10 W), 1 k Ω (5 W), 2 k Ω (2.5 W), 3.3 k Ω (1.5 W), 10 k Ω (0.5 W)
Sound Pressure Level	110 dB (1 W, 1 m at 500 Hz to 2.5 kHz peak level)
Frequency Response	315 Hz - 12.5 kHz
Polarity	Hot: Black, Com: White
Dust/Water Protection	IP65
Operating Temperature	-20 °C to +55 °C (-4 °F to 131 °F) (must be free from dew condensation)
Finish	Horn flare: Aluminum, off-white, powder coating Reflector horn and rear cover: ABS resin, off-white Bracket, screws and bolts: Stainless steel Speaker cable: Polyvinyl chloride insulated cable (6 mm in diameter, 600 mm in length)
Dimensions	172 (W) x 161 (H) x 188 (D) mm
Weight	1.2 kg
Optional Accessories	Swivel bracket: YS-151S (Can be used instead of the supplied bracket.)

Note: Avoid installing the speaker in locations which vibrate considerably or under environments easy to be oil-contaminated.

Dimensions



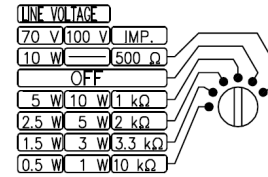
Rear View



(Transformer connection when the speaker is supplied from the factory)

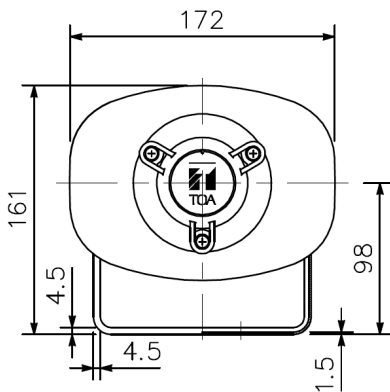
Wiring diagram

CAUTION
NEVER SET THE SWITCH TO "OFF" POSITION FOR 100 V LINE OPERATION, AS DOING SO MAY RESULT IN DAMAGE TO THE SPEAKER.

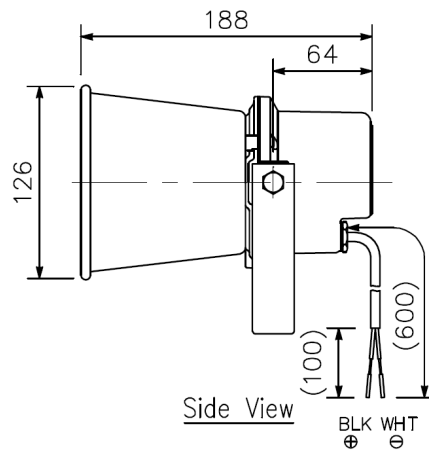


Set the impedance selector to the desired impedance.

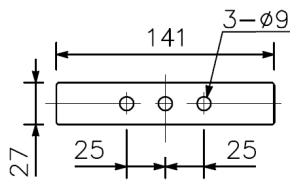
Impedance selection



Front View



Side View



Bracket dimensional diagram

UNIT: mm

Note: Numerical values in parentheses are for reference only.

A&E specifications

Weather-resistant pressure chamber loudspeaker compliant with IP65 in 100 V design, oval horn made of powder-coated aluminum, driver cover made of ABS plastic, swivelling bracket made of stainless steel for precise alignment of the speaker, rear rotary switch for power matching Rated power: 10 W Power matching: 10W, 5W, 3W, 1W Degree of protection: IP65 Frequency response: 315 – 12,500 Hz Sound pressure (1W/1m): 107 dB (peak 110dB) Dimensions (W x H x D): 172 x 161 x 188 mm Operating temperature range: -20°C - +55°C Color: white (RAL 9010)

Manufacturer: TOA Model: SC-610M