

## PM-660

### PAGING MICROPHONE



Designed for paging calls and general announcements, the PM-660 desk-top microphone comes with a large talk switch and a lock lever for easy and convenient operation.

### Key features

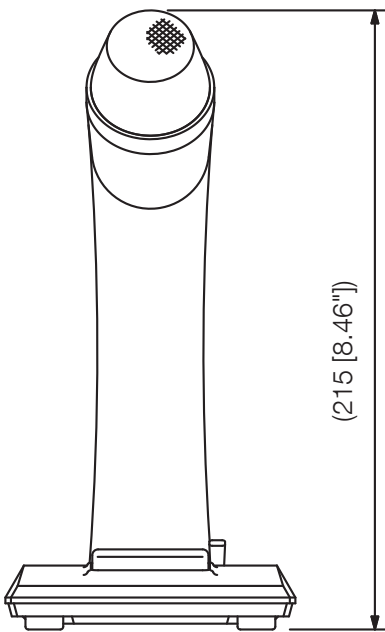
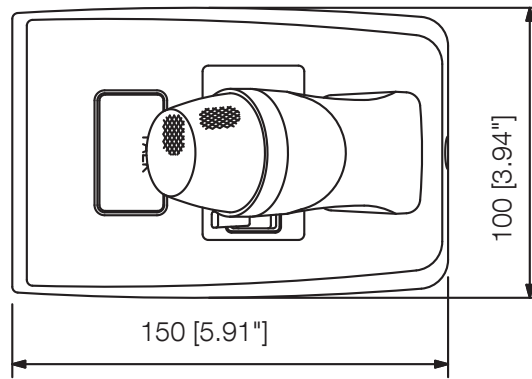
- Short-off talk switch with locking lever or openoff type switch contact
- Low handling noise
- 2,5 m cable with phone plug

## Specifications

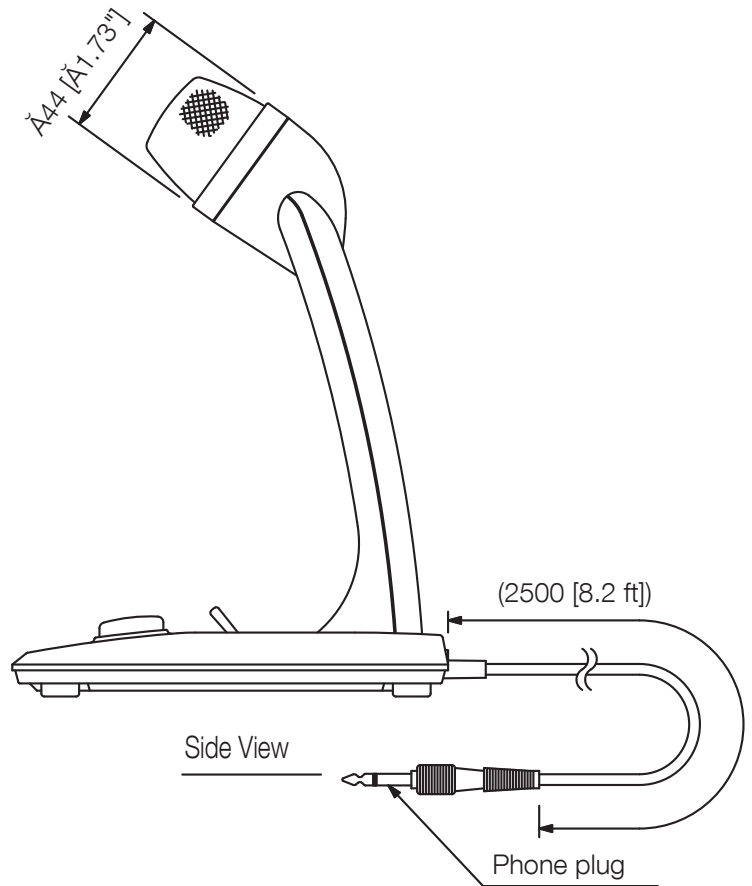
Type	Moving coil microphone
Polar Pattern	Unidirectional
Impedance	600 $\Omega$ , unbalanced
Sensitivity	-58 dB (1 kHz, 0 dB=1 V/Pa)
Frequency Response	100 Hz - 10 kHz
Output	2-conductor shielded cable (2.5 m (8.2 ft) with phone plug
Talk Switch	1-push-to-talk switch, 1-locking lever, Short-off type
Operating Temperature	-10 °C to +50 °C (14 °F to 122 °F)
Operating Humidity	95 %RH or less (no condensation)
Finish	Microphone head : Zinc plated steel wire, gray baked paint Main unit: ABS resin, gray
Dimensions	100 (W) x 212 (H) x 150 (D) mm (3.94 x 8.35" x 5.91")"
Weight	400 g (0.88 lb) (cord excluded)

## Dimensions

Top View



Front View



Side View

UNIT:mm

SCALE:1/3

Note: Numerical values in parentheses are for reference only.

## A&E specifications

Dynamic table microphone in beautifully shaped enclosure with lockable talk button