

PE-64

PENDANT SPEAKER 6W



The PE-64 is a pendant speaker designed for ceiling suspension installations. Considered in architectural design, it can blend in with lighting equipment. A directly-attached 5 m (16.4 ft) cable allows the speaker to be suspended from the high ceiling. The PE-64 is driven on high-impedance (100 V and 70 V) line. The input power (impedance) can be easily changed at the upper side of the speaker. The speaker is easy to repaint so as to meet a wide range of design needs.

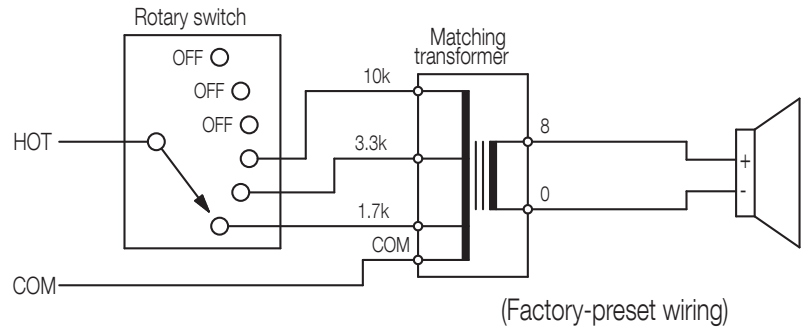
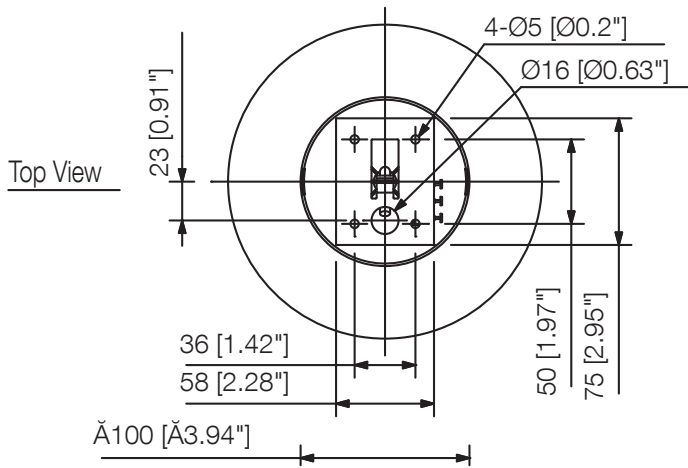
Key features

- Ideally suited for BGM and announcements
- Stylish and outstanding design inspired by the finest lighting fixtures
- Excellent sound quality
- Sturdy cable extendable up to 5 meters
- Paintable
- Input impedance easily changeable
- Bass-reflex type

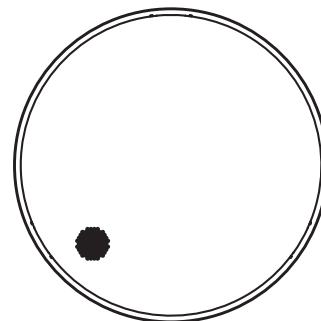
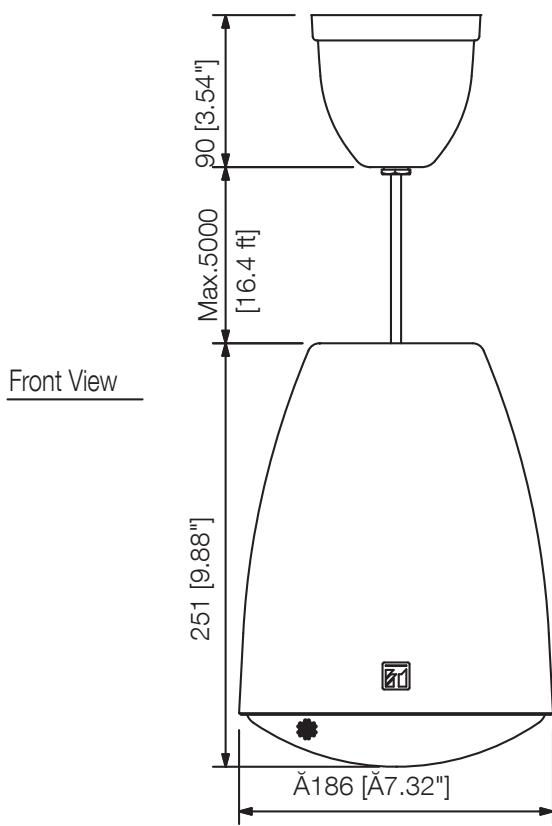
Specifications

Enclosure	Bass-reflex type
Rated Input	6 W (100 V line), 3 W (70 V line)
Rated Impedance	100 V line: 1.7 k Ω (6 W), 3.3 k Ω (3 W), 10 k Ω (1 W) 70 V line: 1.7 k Ω (3 W), 3.3 k Ω (1.5 W), 10 k Ω (0.5 W)
Sensitivity	90 dB (1 W, 1 m) (500 - 5,000 Hz, pink noise)
Frequency Response	100 - 18,000 Hz (peak -20 dB)
Speaker Component	12 cm (5") cone-type
Speaker Cable	2-core cabtyre cord 5 m (16.4 ft)
Cable Requirements	600 V vinyl-insulated cable (IV wire or HIV wire) Solid copper wire: \varnothing 0.8 - \varnothing 1.6 mm (equivalent to AWG 20 - 14) 7-core twisted copper wire: 0.75 - 1.25 mm ² (equivalent to AWG 18 - 16)
Connection	Push-in connector (bridging terminal-2 branch type)
Finish	Enclosure: HIPS resin, off-white (RAL 9010 or equivalent color) Grille: Surface-treated steel plate net, off-white (RAL 9010 or equivalent color), paint
Dimensions	\varnothing 186 x 251 (H) mm (\varnothing 7.32" x 9.88") (unit only)
Weight	1.5 kg (3.31 lb) (unit only)
Included Accessories	Ceiling bracket x 1, Mounting hanger x 1, Ceiling cover x 1, Speaker mounting screw (4 x 16) x 4

Dimensions



Wiring Diagram



Bottom View

UNIT:mm

SCALE:1/5

A&E specifications

The speaker shall be a bass-reflex 5" (12cm) cone type suitable for ceiling suspension mounting. Input impedance shall be easily adjustable with rotary switch on the upper side of the speaker. The speaker shall include a transformer having multiple taps (1W, 3W, 6W at 100V and 0.5W, 1.5W, 3W at 70V) adjustable. The output sound pressure level at a distance of 1m with a 1W input level applied shall be 90 dB SPL. The speaker shall have a frequency response of 100 – 18,000Hz (-20dB).

The speaker enclosure shall be constructed of HIPS resin. The grille shall be constructed of surface-treated steel plate net. The speaker shall be available in off-white color, and shall be easily repaintable. The unit shall have dimensions of ø186 x 251 (H) mm (ø 7.32" x 9.88"), and a weight of 1.5 kg (3.31 lbs.).

The speaker shall be a TOA model PE-64.