

PE-154EN

PENDANT SPEAKER



The PE-154EN is the voice alarm certification product. 2 way speaker system is suitable for announcement and music use in wide frequency range. Stylish and outstanding design inspired by the finest lighting fixtures. A directly attached sturdy suspension cable is extendable up to 5 meters.

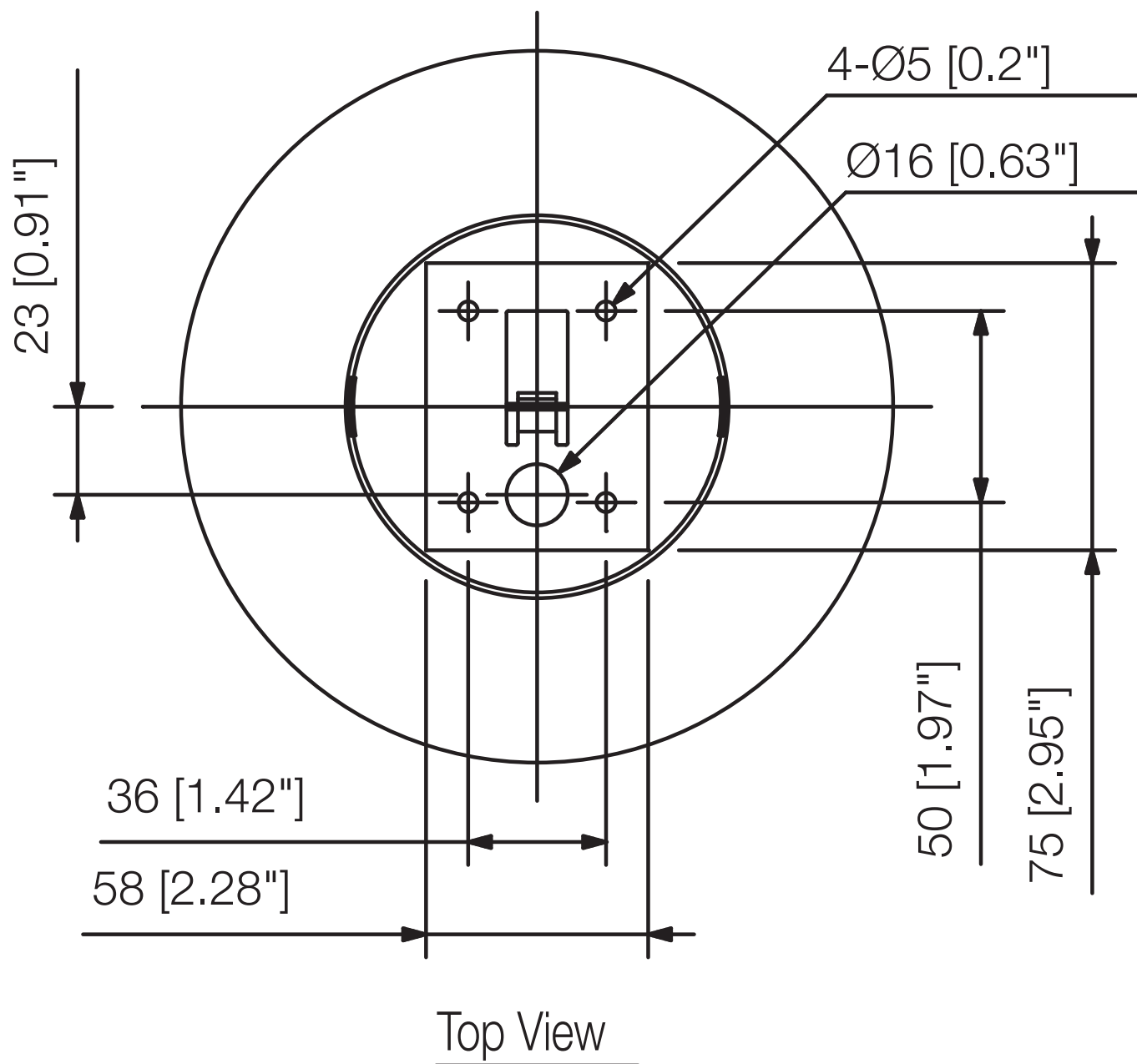
Key features

- Special design to blend with lighting equipment
- Rugged HIPS resin enclosure
- Excellent sound quality
- 5 m cable
- Certified according to EN 54-24, ISO 7240-24

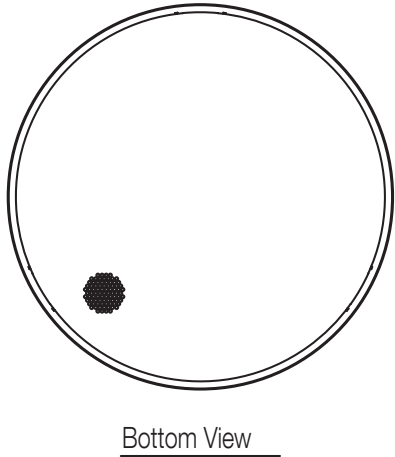
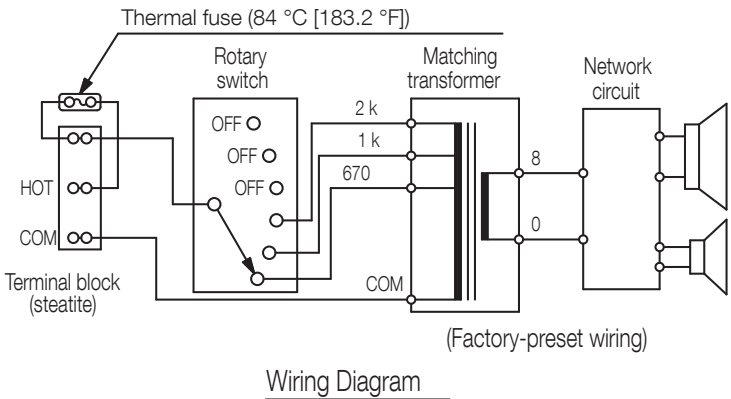
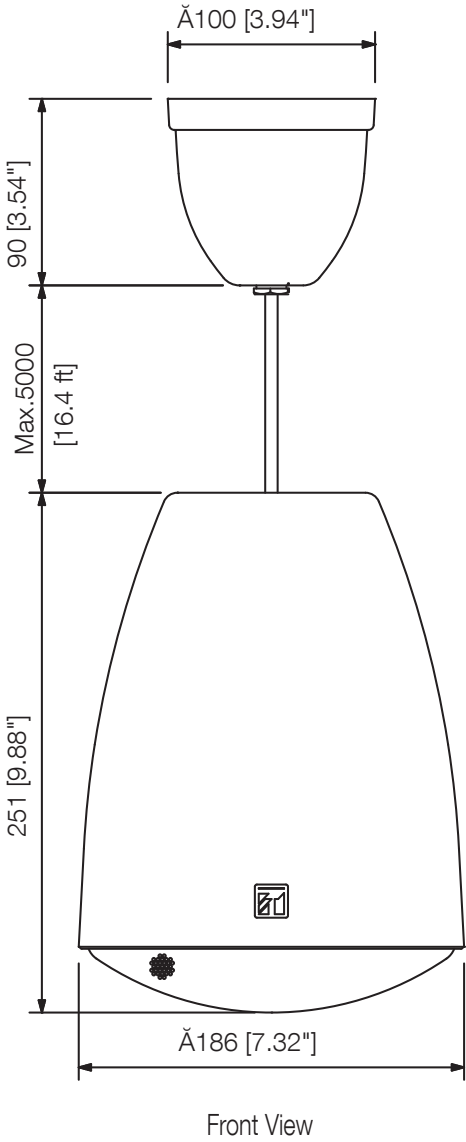
Specifications

Rated Noise Power	15 W (100 V line), 7.5 W (70 V line)
Rated Impedance	100 V line: 670 Ω (15 W), 1 k Ω (10 W), 2 k Ω (5 W) 70 V line: 670 Ω (7.5 W), 1 k Ω (5 W), 2 k Ω (2.5 W)
Sensitivity	91 dB (1 W, 1 m) (500 Hz - 5 kHz, pink noise) 87 dB (1 W, 1 m) (100 Hz - 10 kHz, pink noise) 75 dB (1 W, 4 m) (100 Hz - 10 kHz, pink noise)
Max. SPL	99 dB (15 W, 1 m) (100 Hz - 10 kHz, pink noise) 87 dB (15 W, 4 m) (100 Hz - 10 kHz, pink noise)
Frequency Response	70 Hz - 20 kHz
Coverage Angle	Horizontal and Vertical: 360° (500 Hz), 170° (1 kHz), 90° (2 kHz), 70° (4 kHz)
Environmental Type	A (indoor applications)
Speaker Component	Low frequency: 12 cm (5") cone-type High frequency: 2.5 cm (1") balanced dome tweeter
Speaker Mounting Method	Ceiling suspension
Speaker Cable	2-core cable 5 m (16.40 ft)
Cable Requirements	Outer diameter: \varnothing 6.5-12.5 mm Conductor: Solid wire or 7-core wire No bridge connection: 0.8 - 10 mm ² (AWG18-AWG7) for solid wire, 0.8 - 8 mm ² (AWG18-AWG8) for 7-core wire Bridge connection: 0.8 - 2.5 mm ² (AWG18-AWG13) for solid wire, 0.8 - 1.5 mm ² (AWG18-AWG15) for 7-core wire
Connection	Screw terminal (steatite), can be bridge-connected
Operating Temperature	-10 °C to +50 °C (14 °F to 122 °F)
Finish	Enclosure: HIPS resin, off-white (RAL 9010 or equivalent color) Grille: Surface-treated steel plate net, off-white(RAL 9010 or equivalent color), paint
Dimensions	\varnothing 186 x 251 (H) mm (\varnothing 7.32" x 9.88") (speaker only)
Weight	2.1 kg (4.63 lb) (speaker only)
Included Accessories	Ceiling bracket...1, Mounting hanger...1, Ceiling cover...1, Ceiling bracket mounting screw (tapping screw 4 x 16)...4

Dimensions



Dimensions



UNIT:mm SCALE:1/4

A&E specifications

The speaker shall combine a bass-reflex 12 cm (5") cone type, plus balanced dome tweeter, suitable for ceiling suspension mounting. It is also designed for use in voice evacuation systems. Input impedance shall be easily adjustable with rotary switch on the upper side of the speaker.

The speaker shall include a transformer having multiple taps (5 W, 10 W, 15 W at 100V and 2.5 W, 5 W, 7.5 W at 70V) adjustable. The output sound pressure level at a distance of 1m with a 1 W input level applied shall be 91 dB SPL. The speaker shall have a frequency response of 70 – 20 kHz (-20dB). The speaker shall have an ingress protection for indoor applications: IEC 60529 / EN 60529 drip-proof rating of IP21C. A fire-resistant steatite screw terminal block allows secure cable connections and bridge wiring. Thermal fuse with a blowing temperature of 84°C. 5 meters sturdy suspension cable with internal flame-resistant insulated cables. The speaker enclosure shall be constructed of HIPS resin. The grille shall be constructed of surface-treated steel plate net. The speaker shall be available in off-white colour. The unit shall have dimensions of $\varnothing 186 \times 251$ (H) mm ($\varnothing 7.32" \times 9.88"$), and a weight of 2.1 kg (4.63 lb).

The speaker shall be certified according to EN 54-24 with CPD Number 0359-CPD-0105, certified according to ISO 7240-24. The speaker shall be a TOA model PE-154EN.