

PC-658R

CEILING MOUNT SPEAKER



Integrated with a resin panel and speaker frame, the PC-658R is the ceiling mount speaker with a metal attached. It features spring clamp mechanism for easy speaker mounting to the ceiling. The input impedance can be easily changed by changing the tap position of the transformer.

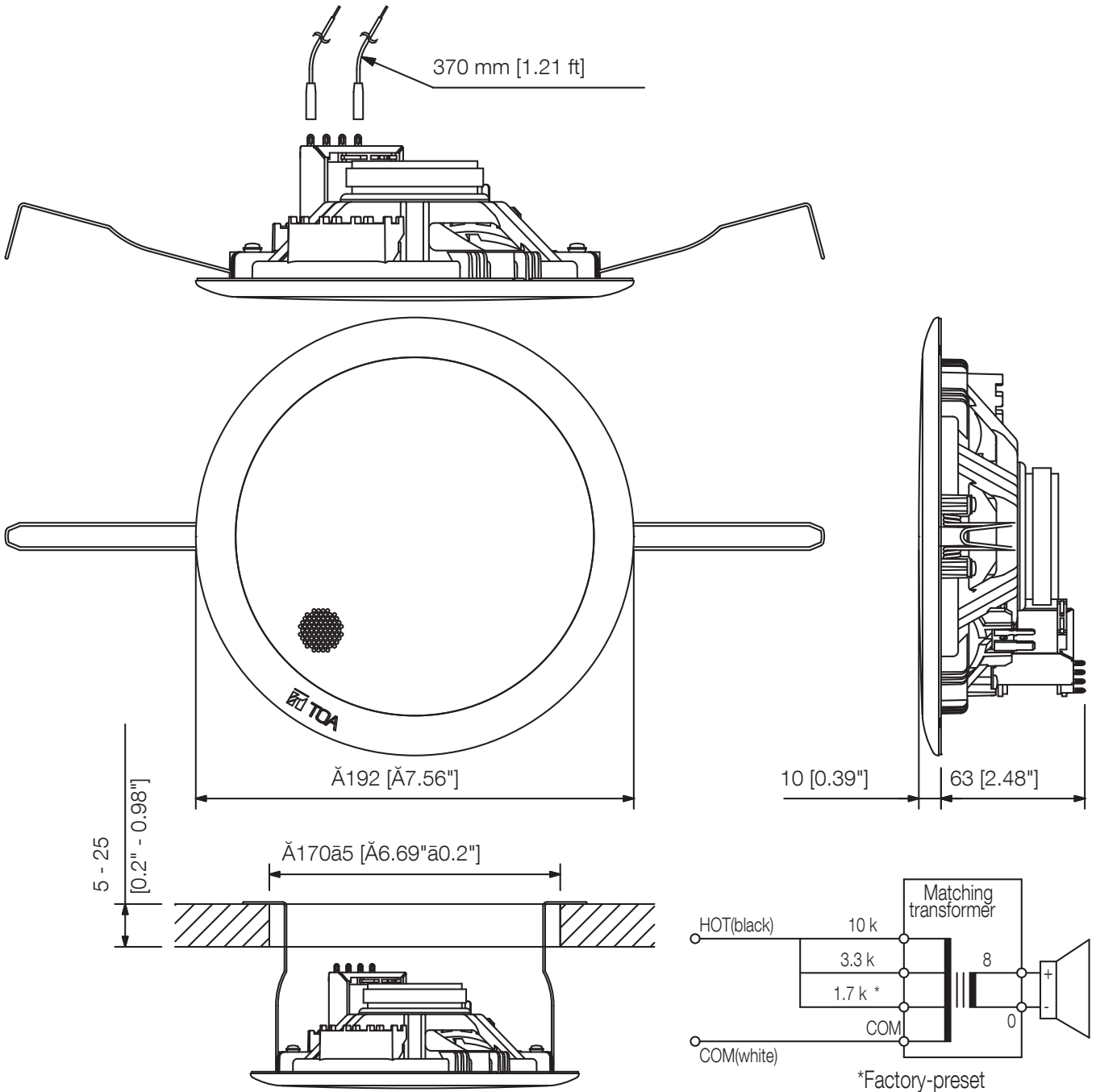
Key features

- Special design for thin ceiling
- Spring clamp mechanism for easy speaker mounting to the ceiling

Specifications

Rated Input	6 W (100 V line), 3 W (70 V line)
Rated Impedance	100 V line: 1.7 k Ω (6 W), 3.3 k Ω (3 W), 10 k Ω (1 W) 70 V line: 1.7 k Ω (3 W), 3.3 k Ω (1.5 W), 10 k Ω (0.5 W)
Sensitivity	90 dB (1 W, 1 m) (500 Hz - 5 kHz, pink noise)
Frequency Response	65 Hz - 18 kHz (peak -20 dB)
Speaker Component	16 cm (6) cone-type
Mounting Hole	Mounting hole: #170 \pm 5 mm (#6.69 \pm 0.2") Ceiling thickness: 5 - 25 mm (0.2 - 0.98")
Speaker Mounting Method	Spring clamp
Finish	Baffle: Polypropylene resin, white (RAL 9016 equivalent) Grille: Surface-treated steel plate net, white (RAL 9016 equivalent), paint
Dimensions	#192 x 73 (D) mm (#7.56 x 2.87")
Weight	500 g (1.1 lb)
Included Accessories	Paper pattern ... 1

Dimensions



Mounting Diagram
(scale: 1/4)

*Factory-preset
Wiring Diagram

UNIT:mm

SCALE:1/3

A&E specifications

The ceiling mount loudspeaker shall be an integrated cone driver, line transformer and baffle (grille) assembly. The driver shall be a 16cm (6") diameter cone type with 8 ohm nominal impedance and a ferrite magnet. Power handling shall be 6 W (15 W program) with a frequency response from 65 – 18 KHz and sensitivity of 90 dB SPL at 1 W input measured at a distance of 1m. The line transformer shall accept 70 V and 100V inputs with taps for 1 W, 3 W and 6 W with an output impedance of 8 ohms. The baffle shall be made of polypropylene resin and grille shall be surface-treated steel plate net with an off-white color (RAL9010). With two spring clamps mounted at the opposite side of the baffle for easily assembly. The dimension of the speaker shall be #192mm x D 73mm and weight shall be 500g. The ceiling mount loudspeaker shall be TOA model PC-658R.