

## PC-648R

### CEILING MOUNT SPEAKER



Integrated with a resin panel and speaker frame, the PC-648R is the ceiling mount speaker with a metal attached. It features spring clamp mechanism for easy speaker mounting to the ceiling. The input impedance can be easily changed by changing the tap position of the transformer.

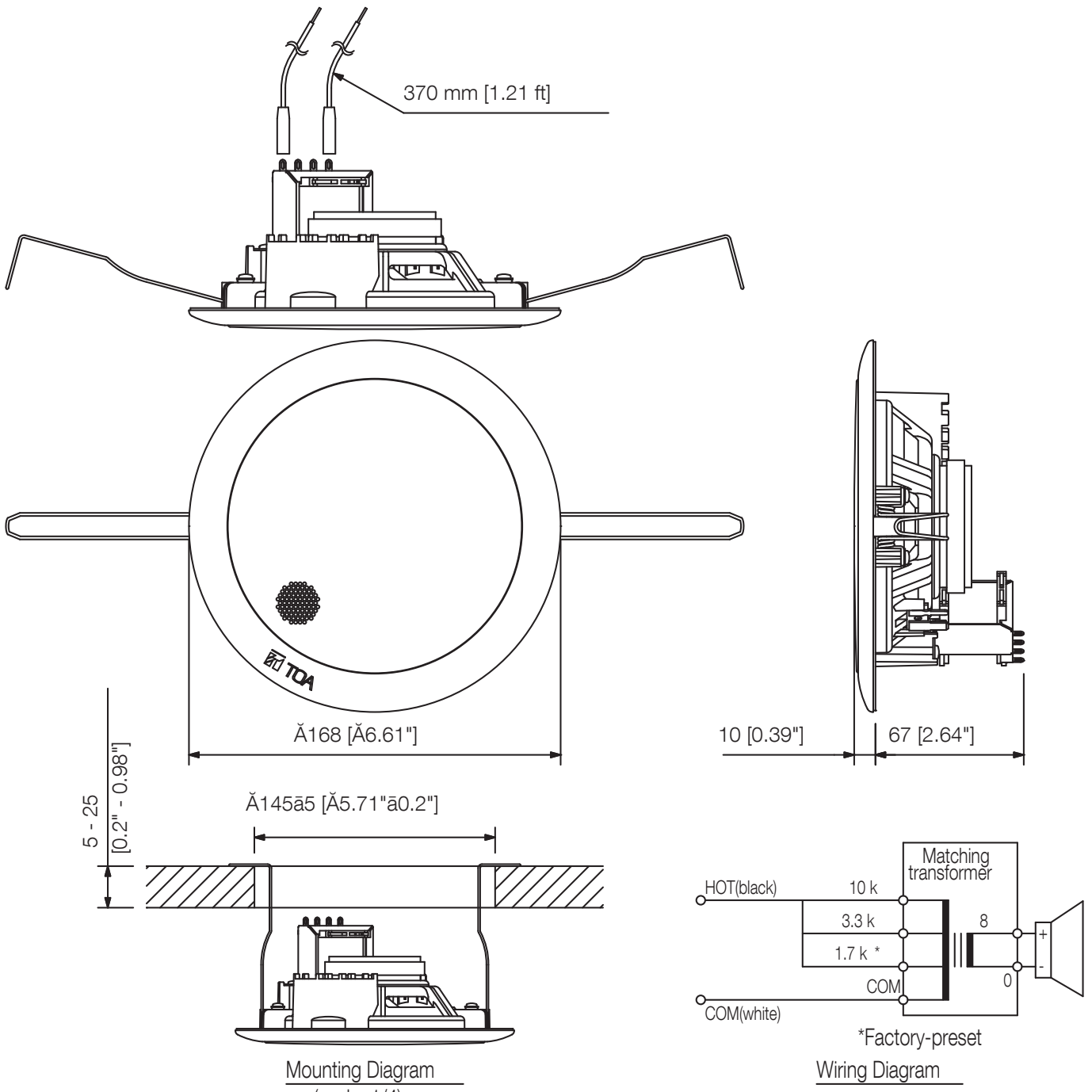
### Key features

- Special design for thin ceiling
- Spring clamp mechanism for easy speaker mounting to the ceiling

## Specifications

|                         |   |
|-------------------------|---|
| Rated Input             | 6 W (100 V line), 3 W (70 V line)   |
| Rated Impedance         | 100 V line: 1.7 k $\Omega$ (6 W), 3.3 k $\Omega$ (3 W), 10 k $\Omega$ (1 W)<br>70 V line: 1.7 k $\Omega$ (3 W), 3.3 k $\Omega$ (1.5 W), 10 k $\Omega$ (0.5 W) |
| Sensitivity             | 90 dB (1 W, 1 m) (500 Hz - 5 kHz, pink noise)   |
| Frequency Response      | 100 Hz - 18 kHz (peak -20 dB)   |
| Speaker Component       | 12 cm (5) cone-type   |
| Mounting Hole           | Mounting hole: #145 $\pm$ 5 mm (#5.71 $\pm$ 0.2")<br>Ceiling thickness: 5 - 25 mm (0.2 - 0.98")   |
| Speaker Mounting Method | Spring clamp  |
| Finish                  | Baffle: Polypropylene resin, white (RAL 9016 equivalent)<br>Grille: Surface-treated steel plate net, white (RAL 9016 equivalent), paint                       |
| Dimensions              | #168 x 77 (D) mm (#6.61 x 3.03")  |
| Weight                  | 470 g (1.04 lb)   |
| Included Accessories    | Paper pattern ... 1   |

# Dimensions



UNIT:mm SCALE:1/3

## A&E specifications

The ceiling mount loudspeaker shall be an integrated cone driver, line transformer and baffle (grille) assembly. The driver shall be a 12cm (5") diameter cone type with 8 ohm nominal impedance and a ferrite magnet. Power handling shall be 6 W (15 W program) with a frequency response from 100 – 18 KHz and sensitivity of 90 dB SPL at 1 W input measured at a distance of 1m. The line transformer shall accept 70 V and 100V inputs with taps for 1 W, 3 W and 6 W with an output impedance of 8 ohms. The baffle shall be made of polypropylene resin and grille shall be surface-treated steel plate net with an off-white color (RAL9010). With two spring clamps mounted at the opposite side of the baffle for easily assembly. The dimension of the speaker shall be dia.168mm x D 77mm and weight shall be 470g. The ceiling mount loudspeaker shall be TOA model PC-648R.