

PC-2668

PANEL CONE SPEAKER



The PC-2668 speaker can be mounted (exposed installation) to the ceiling where flush mounting is impossible. It can be easily installed thanks to its spring catch method. Push-in connector allows quick wire connection, and speaker lines can be bridged by bridging terminals. The supplied bracket can be mounted to a flush-mount pull box.

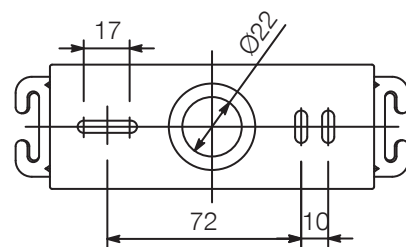
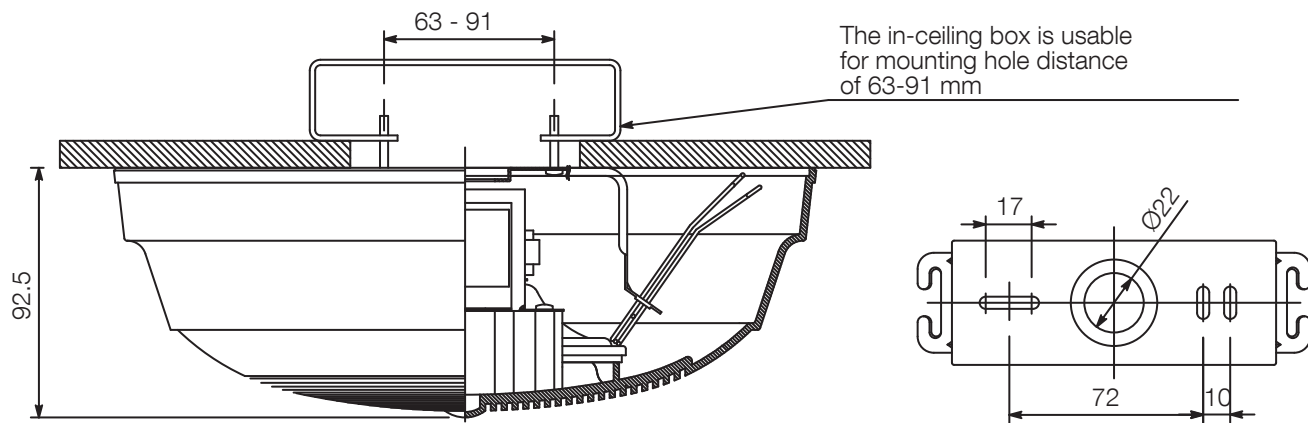
Key features

- 12 cm speaker
- Exposed installation to the ceiling (surface mounting)
- Easy installation with spring catches
- Push-in terminals for speaker cable
- In-/Out bridge connection
- Mounting bracket for optional back box included

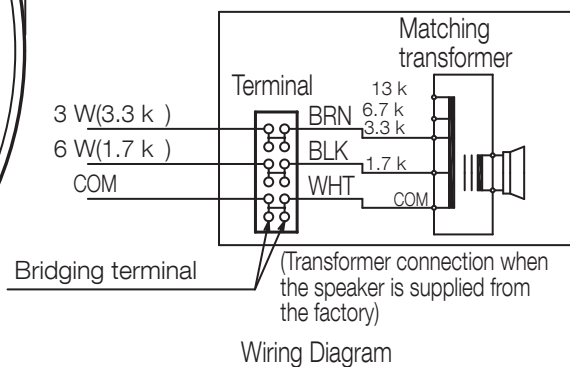
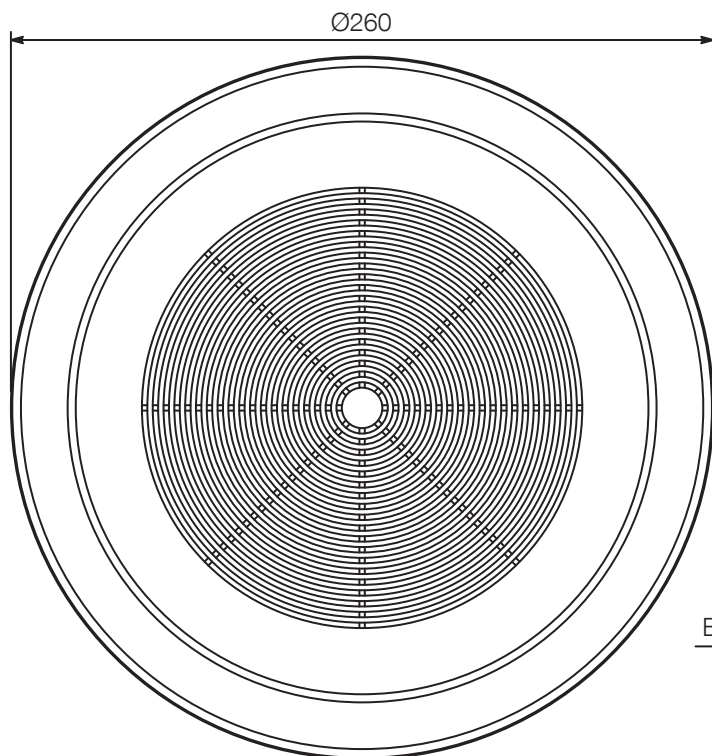
Specifications

Rated Input	6 W (for 100 V Line), 3 W (for 70 V Line)
Rated Impedance	100 V Line: 1.7 k Ω (6 W), 3.3 k Ω (3 W), (6.7 k Ω (1.5 W), 13 k Ω (0.8 W): Internal wiring must be changed) 70 V line: 1.7 k Ω (3 W), 3.3 k Ω (1.5 W), (6.7 k Ω (0.8 W), 13 k Ω (0.4 W): Internal wiring must be changed)
Sound Pressure Level	90 dB (1 W, 1 m, 330 Hz - 3.3 kHz Pink noise)
Frequency Response	100 Hz - 16 kHz
Speaker Component	12 cm dynamic cone-type speaker
Speaker Mounting Method	Spring catch Applicable Cable 600 V Vinyl-insulated cable (IV wire or HIV wire) Solid copper wire: \varnothing 0.8 - \varnothing 1.2 mm 7-core twisted copper wire: 0.75 - 1.25 mm ²
Connection	Push-in connector (Bridging terminal-2 branch type)
Finish	Baffle: ABS resin, off-white (RAL 9010 or equivalent color)
Dimensions	#260 x 92 (D) (Exposed section) mm
Weight	820 g (Bracket included)

Dimensions



Mounting bracket dimensions



Wiring Diagram

UNIT:mm

SCALE:1/3

[Note] Use transformer terminals when changing input impedance.

A&E specifications

Ceiling mounted loudspeaker in 100V technology with curved screen made of ABS