

PC-2360EN

CEILING MOUNT SPEAKER 6INCH 6W



The PC-2360EN ceiling mount speaker is certified to EN 54#24. It features a high-quality cone driver and is suitable for use in announcement and background music systems. Its unobtrusive design harmonizes with the architecture and décor of various venues, and the thin front panel ensures seamless integration with interior designs. The PC-2360EN is certified to European Standard EN 54#24:2008. The DoP No. is 19#010.

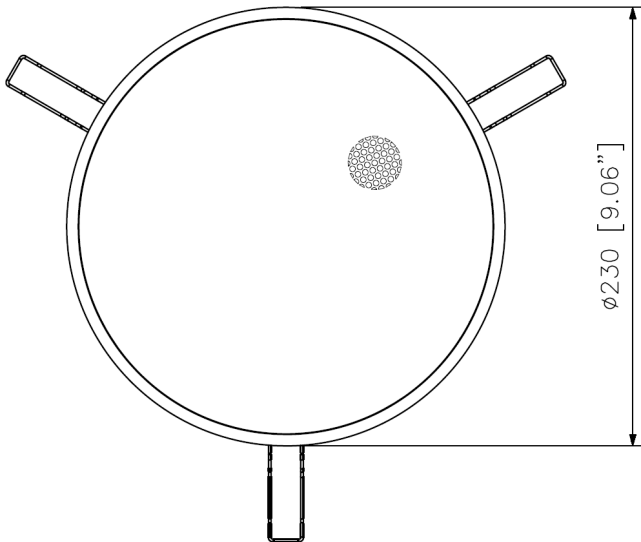
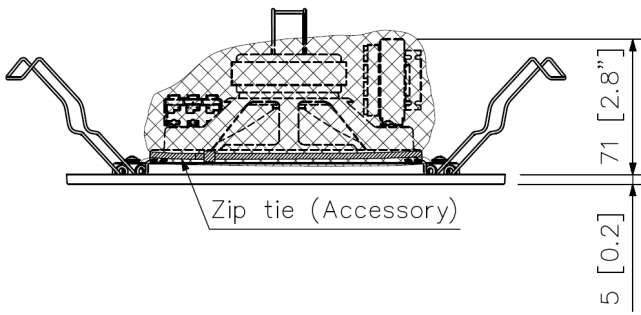
Key features

- Flat front panel
- Quick and easy installation
- Dripping-water protection
- Snap in cable terminal
- 6 W rated input
- Additional DC blocking capacitor
- 16 cm speaker

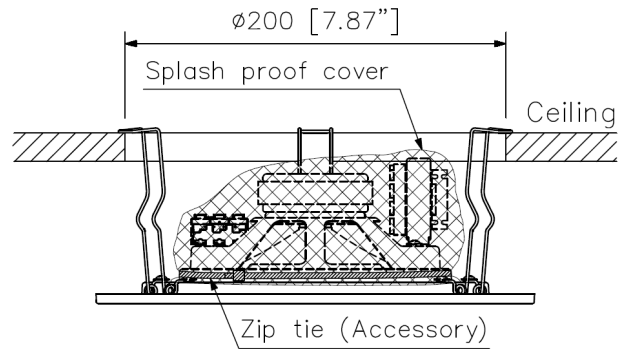
Specifications

| | |
|----------------------------|---|
| Rated Input | 6 W (100 V line), 3 W (70 V line) |
| Rated Impedance | 100 V line: 1.7 k Ω (6 W), 3.3 k Ω (3 W), 6.7 k Ω (1.5 W), 13 k Ω (0.8 W) 70 V line: 1.7 k Ω (3 W), 3.3 k Ω (1.5 W), 6.7 k Ω (0.8 W), 13 k Ω (0.4 W) |
| Sensitivity | 94 dB (1 W, 1 m) (500 Hz - 5 kHz, pink noise) 92 dB (1 W, 1 m) (100 Hz - 10 kHz, pink noise) 80 dB (1 W, 4 m) (100 Hz - 10 kHz, pink noise) |
| Max. SPL | 99 dB (6 W, 1 m) (100 Hz - 10 kHz, pink noise) 87 dB (6 W, 4 m) (100 Hz - 10 kHz, pink noise) |
| Frequency Response | 60 Hz - 20 kHz (peak -20 dB) |
| Coverage Angle (-6 dB) | Horizontal and Vertical: 160° (500 Hz), 170° (1 kHz), 160° (2 kHz), 60° (4 kHz) according to EN 54-24 |
| Environmental Type | A (indoor applications) |
| Speaker Component | 16 cm (6") cone-type |
| Dimensions for Fixing Hole | Mounting hole: $\varnothing 200 \pm 3$ mm (7.87" \pm 0.12") Ceiling thickness: 5 - 25 mm (0.2" - 0.98") |
| Speaker Mounting Method | Spring clamp |
| Cable Requirements | Solid wire: 0.5 - 3 mm ² (AWG 20 - 12) |
| Connection | Push wire connection (Bridging terminal-2 branch type) |
| Operating Temperature | -10 °C to +50 °C (14 °F to 122 °F) |
| Finish | Frame: Steel plate, white (RAL 9016 equivalent), paint Grille: Steel net, white (RAL 9016 equivalent), paint |
| Dimensions | $\varnothing 230 \times 76$ (D) mm (9.06" \times 2.99") |
| Weight | 740 g (1.63 lb) |
| Included Accessories | Paper pattern x 1, Zip tie x 3 |

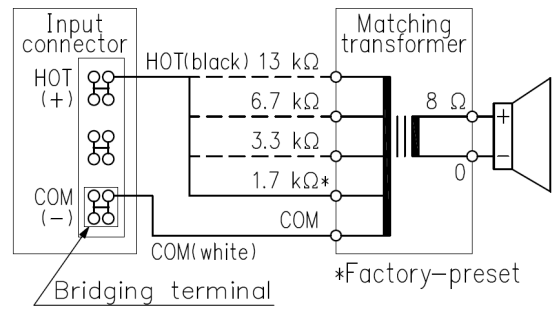
Dimensions



UNIT:mm



Mounting Diagram



Wiring Diagram

Note: Use transformer terminals when changing input impedance.

A&E specifications

The loudspeaker shall be of in-ceiling type design, with a full lightweight metal construction with no visible fixings and a discreet outer bezel of only 5 mm. Installation shall be via pre-mounted springs allowing it to be mounted in a ceiling with a thickness of between 5 – 25 mm (0.2" – 0.98").

A template shall be provided to assist in cutting mounting holes. The loudspeaker shall incorporate a single 16 cm (6") full range cone-type transducer with a smooth frequency response of 60 Hz to 20 kHz measured on axis. The loudspeaker shall produce a Sound Pressure Level (SPL) of 94 dB on axis at 1 meter with a power input of 1 watt and 80dB (measured between 100Hz – 10kHz of pink noise) on axis at 4 meters with a power input of 1 watt. The loudspeaker shall be capable of producing 6 watts (for 100 V Line) and 3 watts (for 70 V Line) of power.

The loudspeaker shall be fitted with a factory mounted transformer with easy selectable power tapings of 6 W, 3 W, 1.5 W and 0.8 W when using 100 V Line and 3 W, 1.5 W, 0.8 W and 0.4 W when using 70 V Line. Push-in-type connectors capable of handling solid cable: 0.5 – 3 mm² (AWG 20 – 12) shall be employed and shall allow bridge wiring when necessary.

The dimensions shall be Ø230 × 76 mm (d) (9.06" × 2.99") weighing 740 g (1.63 lb.) The finish of the loudspeaker shall be: Baffle: steel plate, white (RAL 9016 equivalent). Grille: Steel net, white (RAL 9016 equivalent). Mounting bracket: steel plate.

The ceiling mount loudspeaker shall be certified according to the following standards: European Standard EN 54-24: 2008, International Standard ISO 7240-24: 2010.

Manufacturer: TOA Corporation

Model: PC-2360EN