

## PC-2360

CEILING MOUNT SPEAKER 6INCH 6W



The PC-2360 is suitable for announcements and BGM system use in high sound quality. The speaker's design harmonizes with modern architecture and decor.

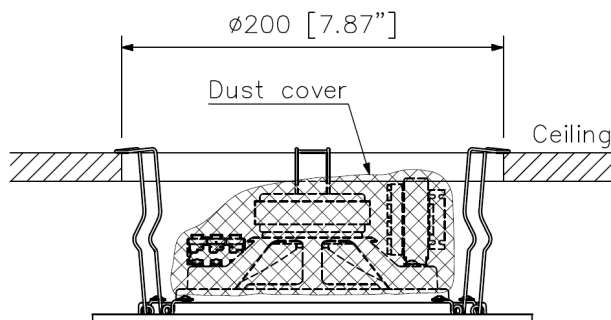
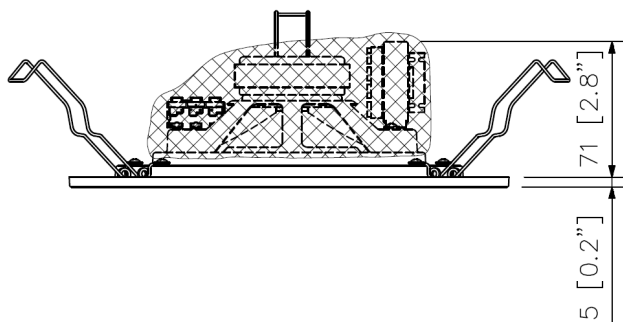
### Key features

- Flat front panel
- Quick and easy installation with spring catches
- Dust cover
- Snap in cable terminal
- 6 W rated input
- 16 cm speaker

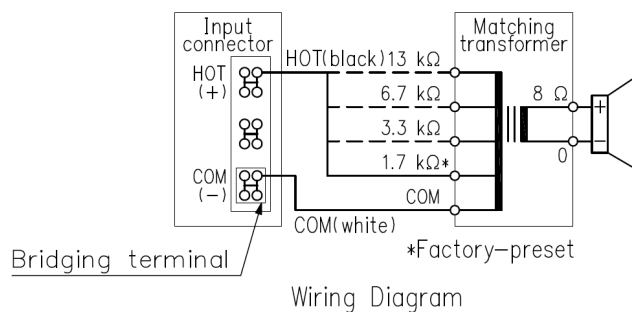
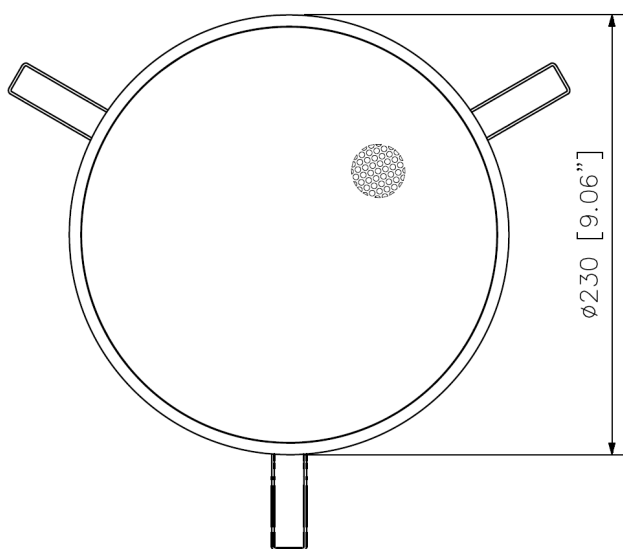
## Specifications

Rated Input	6 W (100 V line), 3 W (70 V line)
Rated Impedance	100 V line: 1.7 k $\Omega$ (6 W), 3.3 k $\Omega$ (3 W), 6.7 k $\Omega$ (1.5 W), 13 k $\Omega$ (0.8 W) 70 V line: 1.7 k $\Omega$ (3 W), 3.3 k $\Omega$ (1.5 W), 6.7 k $\Omega$ (0.8 W), 13 k $\Omega$ (0.4 W)
Sensitivity	94 dB (1 W, 1 m) (500 Hz - 5 kHz, pink noise)
Frequency Response	60 Hz - 20 kHz (peak -20 dB)
Speaker Component	16 cm (6") cone-type
Mounting Hole	Mounting hole: $\varnothing 200 \pm 3$ mm (7.87 $\pm 0.12$ " ) Ceiling thickness: 5 - 25 mm (0.2" - 0.98")
Speaker Mounting Method	Spring clamp
Cable Requirements	Solid wire: 0.5 - 3 mm <sup>2</sup> (AWG 20 - 12)
Connection	Push wire connection (Bridging terminal-2 branch type)
Operating Temperature	-10 °C to +50 °C (14 °F to 122 °F)
Finish	Frame: Steel plate, white (RAL 9016 equivalent), paint Grille: Steel net, white (RAL 9016 equivalent), paint
Dimensions	$\varnothing 230 \times 76$ (D) mm (9.06" x 2.99")
Weight	740 g (1.63 lb)
Included Accessories	Paper pattern ... 1

## Dimensions



Mounting Diagram



Wiring Diagram

Note: Use transformer terminals when changing input impedance.

UNIT:mm

## A&E specifications

The loudspeaker shall be of in-ceiling type design, with a full lightweight metal construction with no visible fixings and a discreet outer bezel of only 5 mm.

Installation shall be via pre-mounted springs allowing it to be mounted in a ceiling with a thickness of between 5 – 25 mm (0.2" – 0.98"). A template shall be provided to assist in cutting mounting holes. The loudspeaker shall incorporate a single 16 cm (6") full range cone-type transducer with a smooth frequency response of 60 Hz to 20 kHz measured on axis.

The loudspeaker shall produce a Sound Pressure Level (SPL) of 94 dB on axis at 1 meter with a power input of 1 watt and shall be capable of producing 6 watts (for 100 V Line) and 3 watts (for 70 V Line) of power.

The loudspeaker shall be fitted with a factory mounted transformer with easy selectable power tapings of 6 W, 3 W, 1.5 W and 0.8 W when using 100 V Line and 3 W, 1.5 W, 0.8 W and 0.4 W when using 70 V Line. Push-in-type connectors shall make cable connection quick and easy and shall allow bridge connection when necessary.

The dimensions shall be Ø230 x 76 (d) mm (9.06" x 2.99") weighing 740 g (1.63 lb.) The finish of the loudspeaker shall be: Baffle: steel plate, white (RAL 9016 equivalent). Grille: Steel net, white (RAL 9016 equivalent).

Manufacturer: TOA Corporation

Model: PC-2360