

CS-64

WIDE RANGE CONE SPEAKER



The CS-64 outdoor speaker features stainless steel hardware for all-weather durability. It is designed to offer the high intelligibility of weather-resistant horns combined with the high sound quality of dynamic speakers. The CS-64 employs the rotary switch that facilitates impedance changes.

Key features

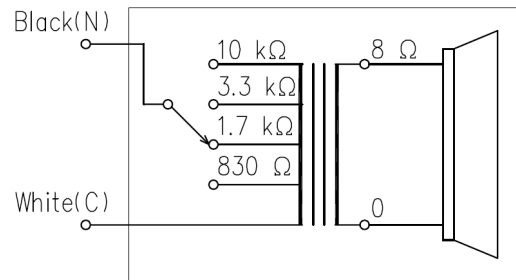
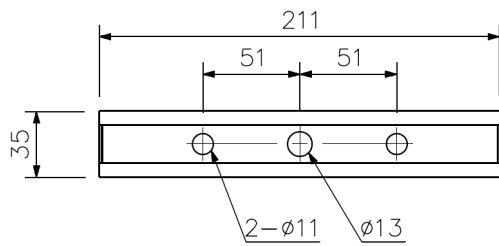
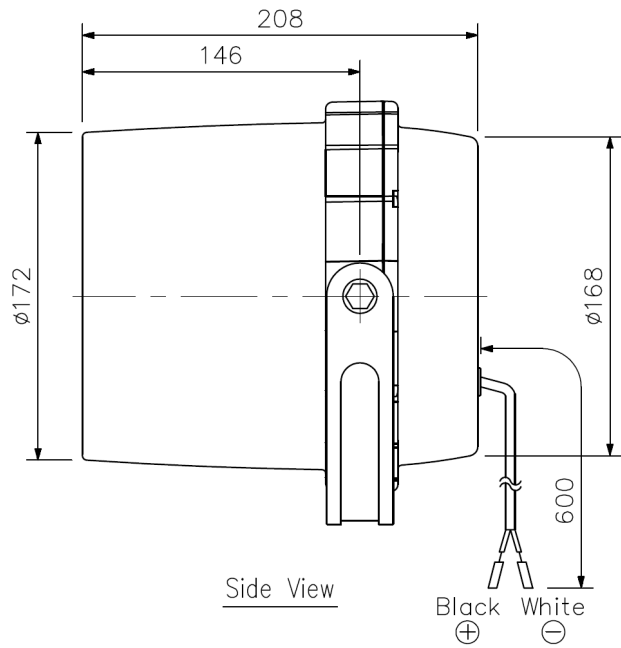
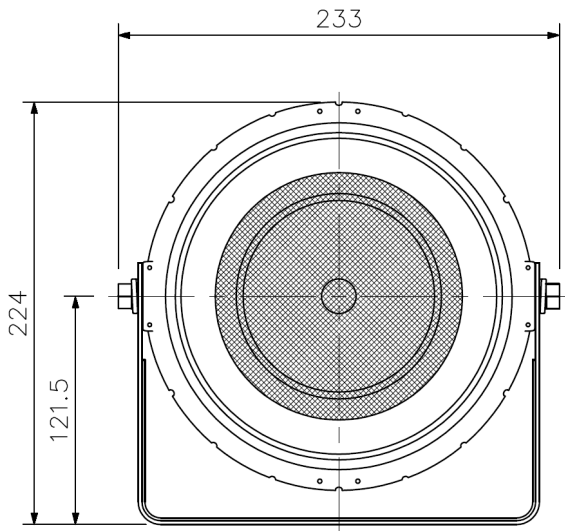
- Round wide-range speaker for paging, background music and tone signaling distribution
- Exponential horn improves directivity characteristics and ensure uniform and clear sound dispersion
- Wide temperature range: -20 to +55 °C
- Stainless steel hardware protects the speaker from corrosion

Specifications

Rated Input	6 W
Rated Impedance	100 V line: 1.7 k Ω (6 W), 3.3 k Ω (3 W), 10 k Ω (1 W) 70 V line: 830 Ω (6 W), 1.7 k Ω (3 W), 3.3 k Ω (1.5 W), 10 k Ω (0.5 W)
Sensitivity	96 dB (1 W, 1 m)
Frequency Response	130 - 13,000 Hz
Speaker Component	12 cm cone-type (treated for splash proof)
Speaker Cable	2-core cabtyre cord with diameter of 6 mm
Operating Temperature	-20# to +55#
Finish	Horn, cover: ABS resin, off-white, paint Bracket: Stainless steel Punched net: Surface treated steel plate, dark-gray, powder coating Screw: Stainless steel
Dimensions	233 (W) x 224 (H) x 208 (D) mm
Weight	1.5 kg

[Note] Do not install the speaker face-up from a horizontal plane nor in such a way that the paper cone is exposed to direct sunlight. If water accumulates on the paper cone, or ultraviolet rays are radiated on it, this may cause the paper cone to deteriorate, leading to speaker malfunction.

Dimensions



(Transformer connection when the speaker is supplied from the factory)

UNIT:mm

A&E specifications

The speaker shall be a wide-range weatherproof horn speaker suitable for paging, background music and tone signaling distribution. The speaker component shall be a 12 cm (4.72") cone-type speaker, treated for weather-resistance (equivalent to IEC IPX4). Rated input shall be 6 W. The speaker shall include a transformer having multiple taps (1W, 3W, 6W at 100 V and 0.5W, 1.5W, 3W, 6W at 70V). The sensitivity at a distance of 1m with a 1W input level applied shall be 96 dB. The speaker shall have a frequency response of 130 – 13 kHz. Horizontal and vertical dispersion at –6 dB below the on-axis reference at 2 kHz shall be 100° (H) x 100° (V).

The speaker enclosure shall be constructed of ABS resin coated with polyurethane resin paint to resist long-term exposure to ultraviolet light. The grille shall be constructed of surface-treated steel plate net, dark-gray paint. The speaker shall be available in off-white color. All mounting hardware, including screws and bolts, shall be stainless steel, which protects the speaker from corrosion. The horn speaker shall include an integral speaker cable, 2-core cabtyre cord with diameter of 6 mm (0.24") diameter. Dimensions shall be 233(W) x 224(H) x 208(D) mm (9.17" x 8.82" x 8.19"). Weight shall be 1.5 kg (3.31 lb.).

The wide-range weatherproof horn speaker shall be TOA model CS-64.