

CS-154BS

WIDE RANGE SPEAKER



The CS-154BS is the voice alarm certification product. The CS-154BS Wide range speaker features an ABS resin enclosure and stainless steel bracket for all weather durability. It is comprised of a high-efficiency weather-resistant horn and a high quality sound cone speaker, providing clear and highly directional sound reproduction. The CS-154BS is equipped with a constant directivity horn (90° horizontal) to control sound directivity, realizing uniform and clear sound dispersion over a wide area.

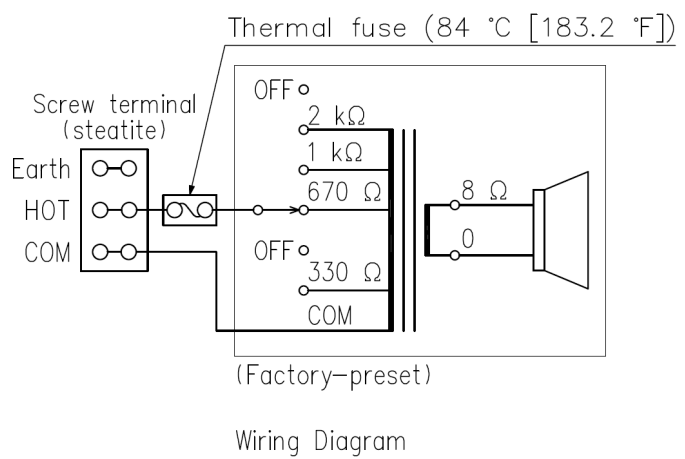
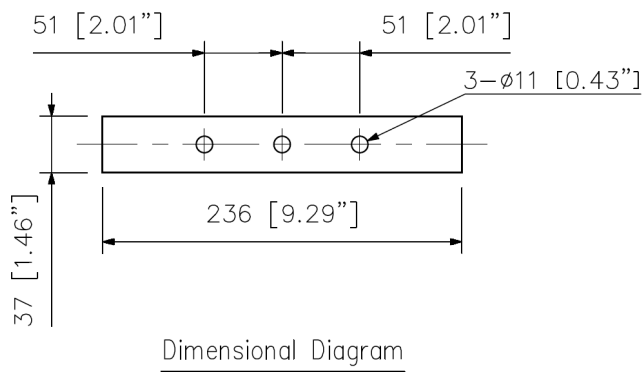
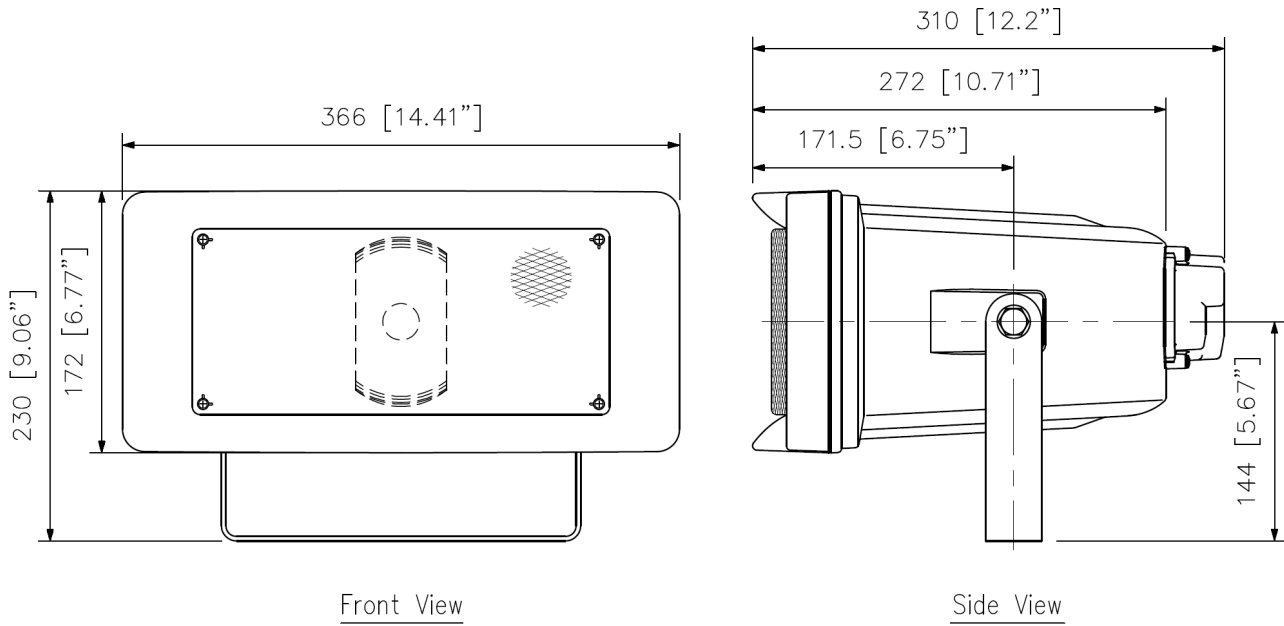
Key features

- Square weatherproof speaker for outdoor use
- High SPL
- Impact-proof light weight
- Complete with stainless steel bracket
- Certified according to EN 54-24, ISO 7240-24
- Compliant with BS-5839-8

Specifications

Rated Noise Power	15 W (100 V Line and 70 V Line)
Rated Impedance	100 V line: 670 Ω (15 W), 1 k Ω (10 W), 2 k Ω (5 W) 70 V line: 330 Ω (15 W), 670 Ω (7.5 W), 1 k Ω (5 W), 2 k Ω (2.5 W)
Sensitivity	97 dB (1 W, 1 m) (330 Hz - 3.3 kHz, pink noise) 94 dB (1 W, 1 m) (100 Hz - 10 kHz, pink noise) 82 dB (1 W, 4 m) (100 Hz - 10 kHz, pink noise)
Max. SPL	104 dB (15 W, 1 m) (100 Hz - 10 kHz, pink noise) 92 dB (15 W, 4 m) (100 Hz - 10 kHz, pink noise)
Frequency Response	150 Hz - 15 kHz
Coverage Angle	Horizontal: 140° (500 Hz), 90° (1 kHz), 90° (2 kHz), 100° (4 kHz) Vertical: 200° (500 Hz), 155° (1 kHz), 90° (2 kHz), 60° (4 kHz)
Environmental Type	B (outdoor applications)
Speaker Component	12 cm (5") cone-type (treated for splash proof)
Speaker Mounting Method	Wall-mount
Cable Gland	Size: PG 13.5 One cable gland is factory-installed. For bridge connection, one cable gland can be added.*
Cable Requirements	Outer diameter: \varnothing 8 - 12.5 mm Conductor: Solid wire or 7-core wire No bridge connection: 0.8 - 10 mm ² (AWG18-AWG7) for solid wire, 0.8 - 8 mm ² (AWG18 - AWG8) for 7-core wire Bridge connection: 0.8 - 2.5 mm ² (AWG18-AWG13) for solid wire, 0.8 - 1.5 mm ² (AWG18-AWG15) for 7-core wire
Connection	Screw terminal (steatite), can be bridge-connected
Dust/Water Protection	IP65
Operating Temperature	-20 °C to +55 °C (-4 °F to 131 °F)
Finish	Horn, Cover, and Terminal cover: ABS resin, off-white, paint Bracket: Stainless steel Net: Aluminum, gray, paint Screw: Stainless steel
Dimensions	366 (W) x 230 (H) x 310 (D) mm (14.41 x 9.06" x 12.2")
Weight	3.0 kg (6.61 lb)
Included Accessories	Terminal cover...1

Dimensions



UNIT: mm

A&E specifications

Weather proof sound projector for voice alarm systems according to IP 65, 70V and 100-Volt operation, ABS enclosure, metal grille, stainless steel swivel bracket for an exact orientation of the speaker, fire-resistant ceramic screw terminals, thermal fuse with a release temperature of 72 °C, internal cables with flame-retardant insulation according to BS 5839, part 8, one PG cable gland integrated, additional PG gland optional. The speaker must be certified by a notified body according to EN 54-24 and ISO 7240-24. The speaker must meet the requirements according to BS 5839-8.