

## CS-154

### WIDE RANGE CONE SPEAKER



The CS-154 outdoor speaker features stainless steel hardware for all-weather durability. It is designed to offer the high intelligibility of weather-resistant horns combined with the high sound quality of dynamic speakers. The CS-154 employs the rotary switch that facilitates impedance changes. It also employs a constant directivity horn for clear sound output over its horizontal range of 90° operation.

### Key features

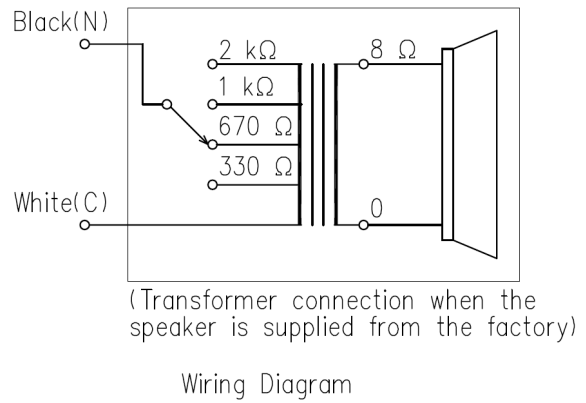
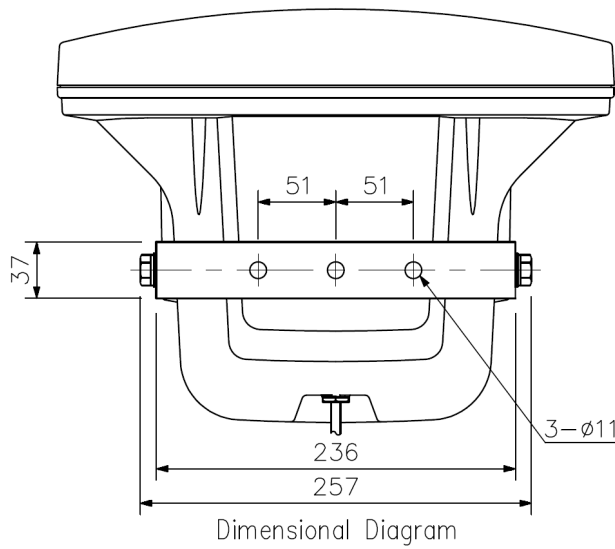
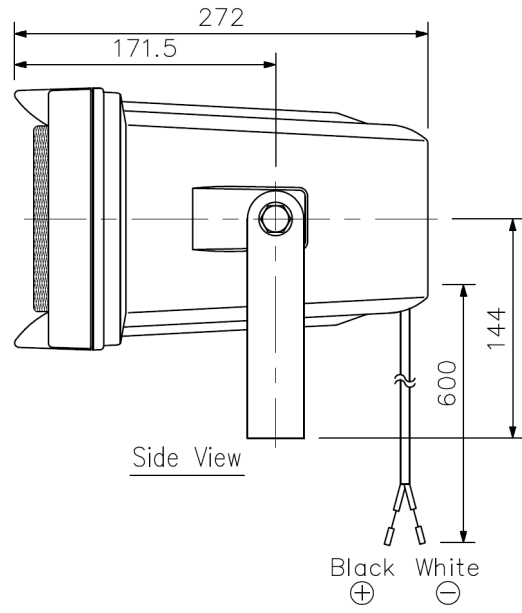
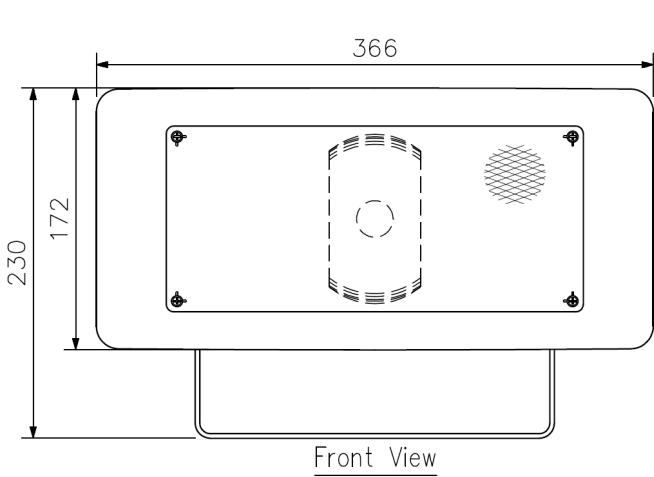
- Rectangular wide-range speaker for voice paging, background music and tone signaling distribution
- Constant directivity horn improves directivity characteristics and ensure uniform and clear sound dispersion
- Wide temperature range: -20 to +55 °C
- waterproof plastic enclosures and stainless steel hardware for all-weather durability, IP65
- Stainless steel hardware protects the speaker from corrosion

## Specifications

Rated Input	15 W
Rated Impedance	100 V line: 670 $\Omega$ (15 W), 1 k $\Omega$ (10 W), 2 k $\Omega$ (5 W) 70 V line: 330 $\Omega$ (15 W), 670 $\Omega$ (7.5 W), 1 k $\Omega$ (5 W), 2 k $\Omega$ (2.5 W)
Sensitivity	97 dB (1 W, 1 m)
Frequency Response	150 - 15 kHz
Horizontal Directivity	Constant directivity horn 90° ( $\pm 45^\circ$ horizontal from front axis) 93 dB or more (1 W, 1 m), 3 kHz at $\pm 45^\circ$
Speaker Component	12 cm cone-type
Speaker Cable	2-core cabtyre cord with diameter of 6 mm
Dust/Water Protection	IP65
Operating Temperature	-20 °C to +55 °C
Finish	Horn, cover: ABS resin, off-white, paint Bracket: Stainless steel Net: Aluminum, gray, paint Screw: Stainless steel
Dimensions	366 (W) x 230 (H) x 272 (D) mm
Weight	2.8 kg

[Note] Do not install the speaker face-up from a horizontal plane nor in such a way that the paper cone is exposed to direct sunlight. If water accumulates on the paper cone, or ultraviolet rays are radiated on it, this may cause the paper cone to deteriorate, leading to speaker malfunction.

## Dimensions



UNIT:mm

## A&E specifications

The speaker shall be a wide-range weatherproof horn speaker suitable for paging, background music and tone signaling distribution. The speaker component shall be a 12 cm (4.72") cone-type speaker, treated for weather-resistance. Rated input shall be 15 W. The speaker shall include a transformer having multiple taps (5W, 10W, 15W at 100 V and 2.5W, 5W, 7.5W, 15W at 70V). The sensitivity at a distance of 1m with a 1W input level applied shall be 97 dB. The speaker shall have a frequency response of 150 - 15 kHz. Horizontal and vertical dispersion at -6 dB below the on-axis reference at 2 kHz shall be 110° (H) x 85° (V). The speaker shall have a IEC 529 splash-proof rating of IP65. The speaker shall have an operating temperature of -20° C to +55° C (-4° F to 131° F). The speaker enclosure shall be constructed of ABS resin and coated with polyurethane resin paint to resist long-term exposure to ultraviolet light. The grille shall be constructed of a protective aluminum net to prevent damage, gray paint. All mounting hardware, including screws and bolts, shall be stainless steel, which protects the speaker from corrosion. The wide-range weatherproof paging horn shall include an integral speaker cable, 2-core cabtyre cord with diameter of 6 mm (0.24") diameter.

Dimensions shall be 366(W) x 230(H) x 272(D) mm (14.40" x 9.06" x 10.71"). Weight shall be 2.8 kg (6.17 lb.).

The wide-range weatherproof horn speaker shall be TOA model CS-154.