

BS-634

WALL MOUNT SPEAKER



The BS-634 can be installed easily on the wall with help of the plug-in speaker receptacle.

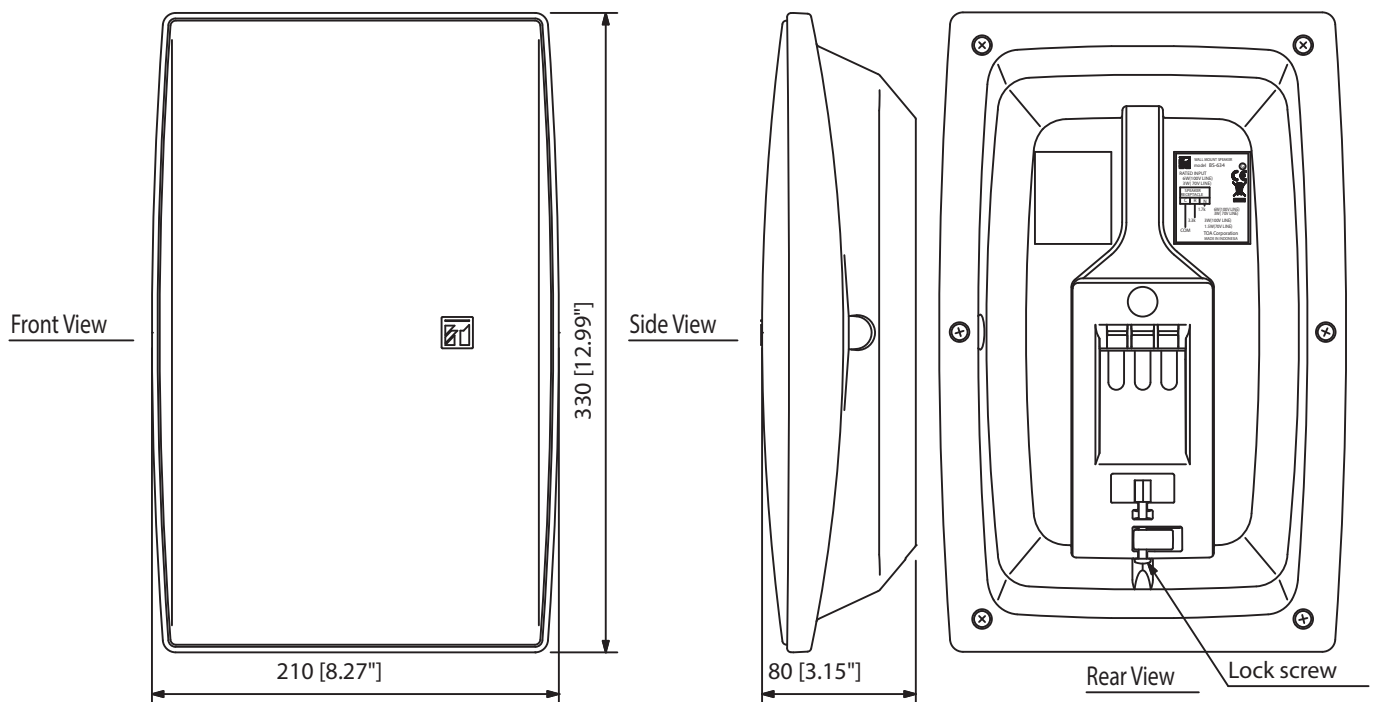
Key features

- Easy and quick installation
- Attractive design based on the golden ratio
- Fire resistant according to UL 94-V0

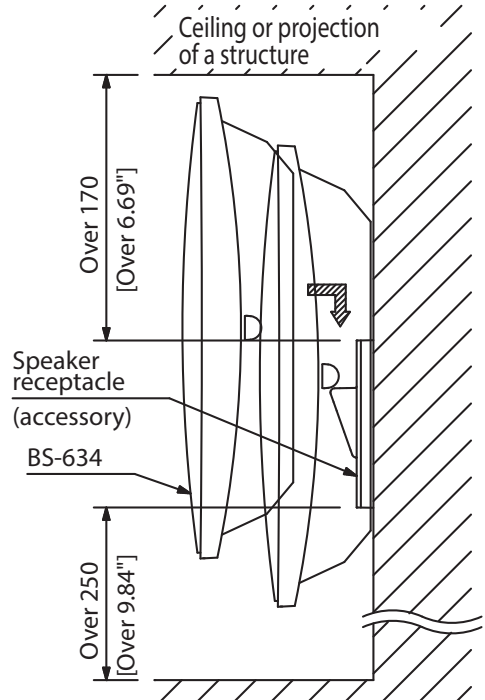
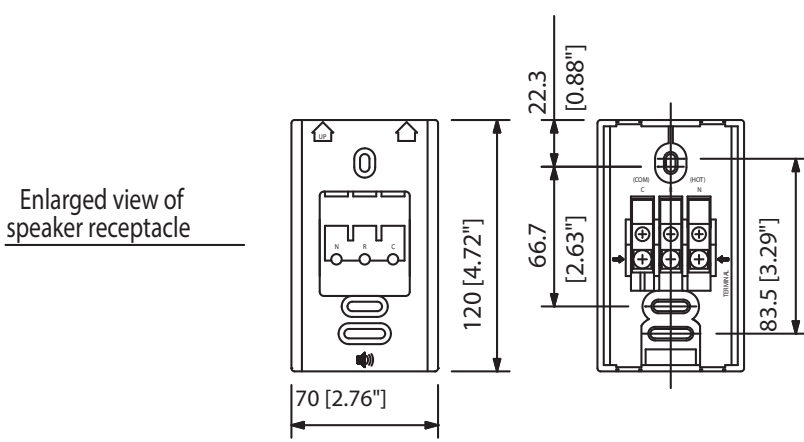
Specifications

Rated Input	6 W
Rated Impedance	100 V line: 1.7 k Ω (6 W), 3.3 k Ω (3 W) 70 V line: 1.7 k Ω (3 W), 3.3 k Ω (1.5 W)
Sensitivity	90 dB (1 W, 1 m)
Frequency Response	120 Hz - 18 kHz
Speaker Component	12 cm (5) cone-type
Input Terminal	M4 screw terminal, distance between barriers: 11 mm (0.43)
Finish	Enclosure: HIPS resin (fire resistant grade UL94 V-0 or its equivalent), off-white (RAL 9010 or equivalent color) Net: Surface-treated steel plate, off-white (RAL 9010 or equivalent color), paint
Dimensions	208 (W) x 327 (H) x 79 (D) mm (8.19 x 12.87" x 3.11")
Weight	1.3 kg (2.87 lb)
Included Accessories	Speaker receptacle ...1, Wall mounting screw ...2

Dimensions

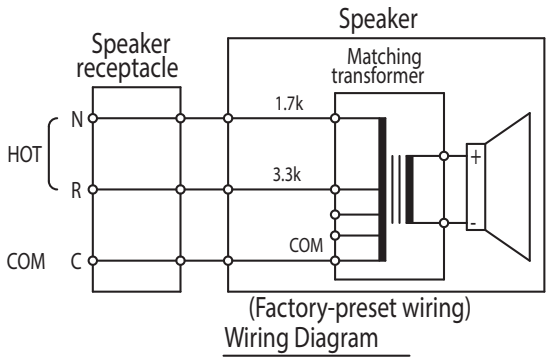


Dimensions



Note: As a force of approx. 18 kg (39.68 lb) is applied to the speaker receptacle at the time of speaker installation, attach it in a location durable enough to withstand the force.

Installation view (scale: 1/6)



UNIT:mm SCALE:1/4

A&E specifications

The speaker shall be a 5" (12cm) cone type enclosure suitable for wall mounting with a supplied plug-in speaker receptacle accessory. The input connector shall be an M4 screw terminal, with an 11 mm distance between barriers.

The speaker impedance shall be 1.7kohm (6W) or 3.3kohm (3W) for a 100V line, and 1.7kohm (3W) or 3.3kohm (1.5W) for a 70V line. The output sound pressure level at a distance of 1m with a 1W input level applied shall be 90 dB SPL. The speaker shall have a frequency response of 120 – 18,000Hz (-20dB).

The speaker enclosure shall be constructed of fire resistant HIPS resin. The grille shall be constructed of surface-treated steel plate net. The speaker shall be available in off-white color. The unit shall have dimensions of 210 (W) x 330 (H) x 80 (D) mm (8.27" x 12.99" x 3.15"), and a weight of 1.3 kg (2.87 lbs.).

The speaker shall be a TOA model BS-634.