

BS-1034EN

WALL MOUNT SPEAKER



The BS-1034EN is the voice alarm certification product. 2 way speaker system is suitable for announcement and music use in wide frequency range. Speaker design that harmonize with the venue's architecture and decor. The speaker enclosure's design proportions are based on the Golden Ratio. The BS-1034EN is wall-mount speaker matched with a supplied plug-in speaker receptacle, for easy installation. An M4 screw terminal input connector allows easy connections.

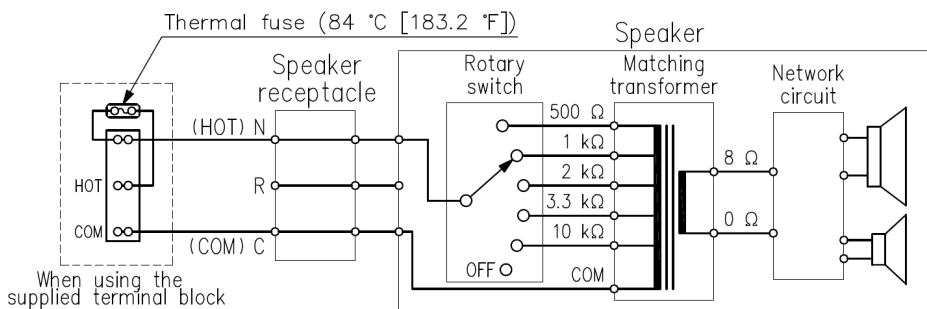
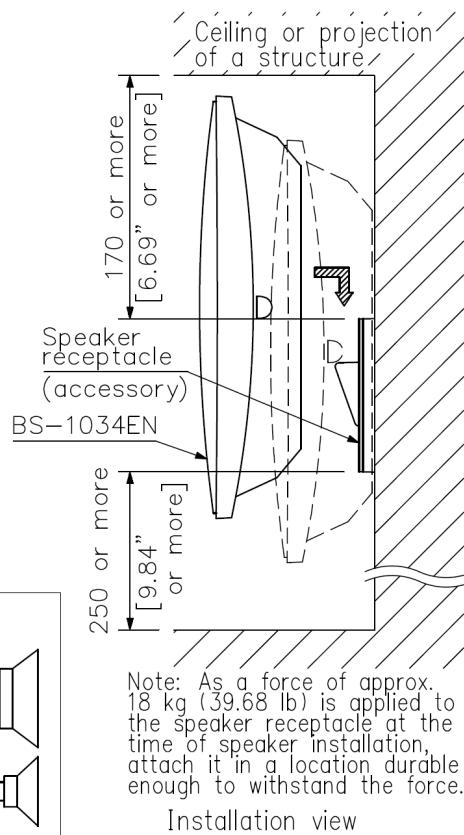
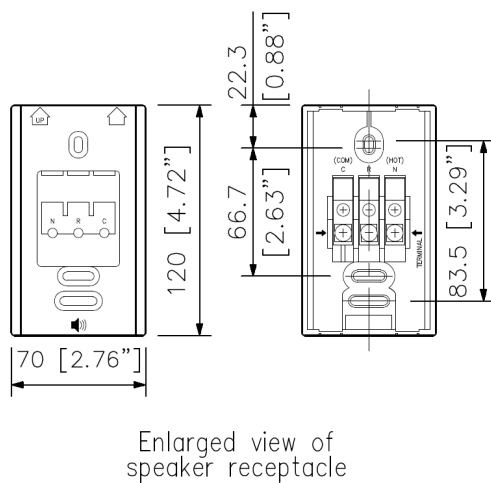
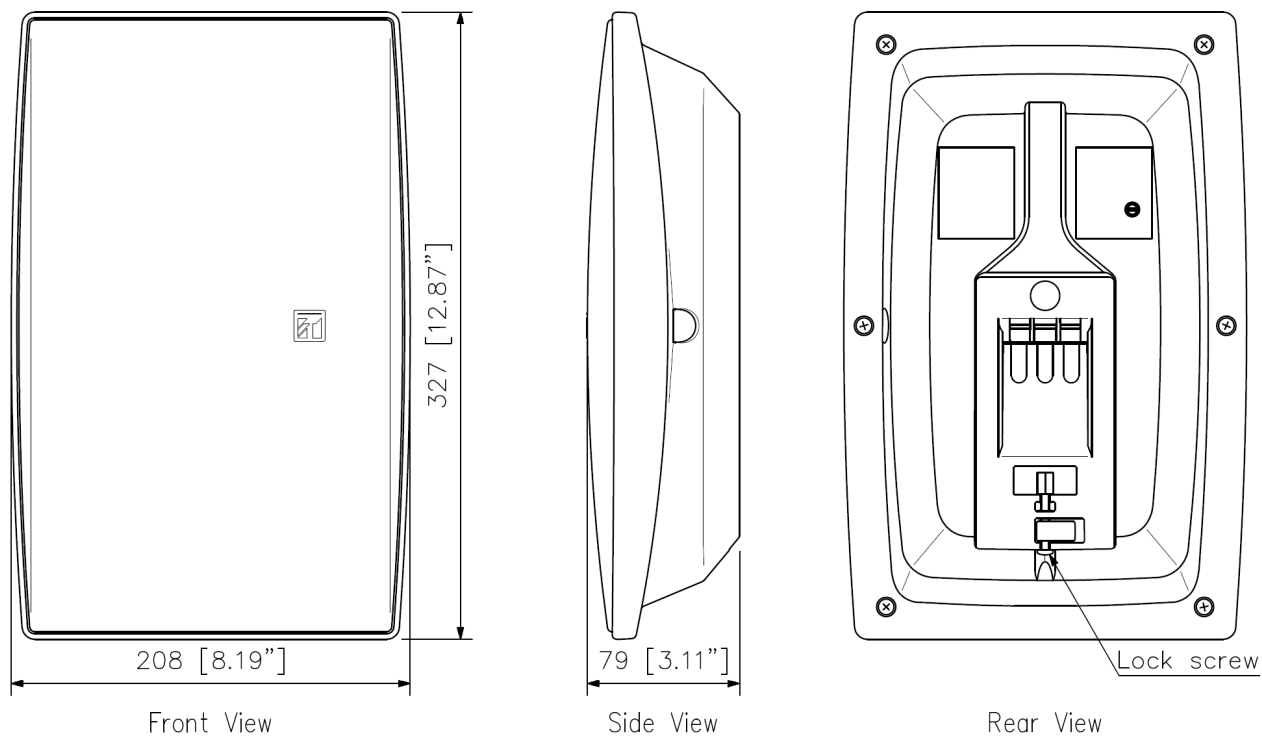
Key features

- Easy and quick installation
- Attractive design based on the Golden Ratio
- Input impedance selector with rotary switch
- Fire resistant according to UL 94-V0
- Fits architecturally sophisticated environments
- Certified according to EN 54-24
- Compliant with BS-5839-8

Specifications

Rated Noise Power	10 W (100 V line and 70 V line)
Rated Impedance	100 V line: 1 k Ω (10 W), 2 k Ω (5 W), 3.3 k Ω (3 W), 10 k Ω (1 W) 70 V line: 500 Ω (10 W), 1 k Ω (5 W), 2 k Ω (2.5 W), 3.3 k Ω (1.5 W), 10 k Ω (0.5 W)
Sensitivity	89 dB (1 W, 1 m) (500 Hz - 5 kHz, pink noise) 86 dB (1 W, 1 m) (100 Hz - 10 kHz, pink noise) 74 dB (1 W, 4 m) (100 Hz - 10 kHz, pink noise)
Max. SPL	94 dB (10 W, 1 m) (100 Hz - 10 kHz, pink noise) 82 dB (10 W, 4 m) (100 Hz - 10 kHz, pink noise)
Frequency Response	120 Hz - 20 kHz
Coverage Angle	Horizontal: 360° (500 Hz), 150° (1 kHz), 115° (2 kHz), 100° (4 kHz) Vertical: 300° (500 Hz), 130° (1 kHz), 160° (2 kHz), 80° (4 kHz)
Environmental Type	A (indoor applications)
Speaker Component	Low frequency: 12 cm (5) cone-type High frequency: 2.5 cm (1) balanced dome tweeter
Speaker Mounting Method	Wall-mount
Cable Requirements	Outer diameter: Max. \varnothing 9 mm (for exposed wiring), \varnothing 6.5 - 12.5 mm (for iN_wall wiring) Conductor: Solid wire or 7-core wire 0.8 - 2 mm ² (AWG18-AWG14) for solid wire, 0.8 - 1.5 mm ² (AWG18-AWG15) for 7-core wire
Connection	Screw terminal, can be bridge-connected
Operating Temperature	-10 # to +50 # (14 # to 122 #)
Finish	Enclosure: HIPS resin (fire resistant grade UL94 V-0), off-white (RAL 9010 or equivalent color) Grille: surface treated steel plate, off-white (RAL 9010 or equivalent color), paint
Dimensions	208 (W) x 327 (H) x 79 (D) mm (8.19 x 12.87" x 3.11")
Weight	1.4 kg (3.09 lb)
Included Accessories	Speaker receptacle...1, Wall mounting screw (tapping screw 4 x 35)...2, Terminal block (with thermal fuse)...1

Dimensions



(Factory-preset wiring)
 Note: Never connect to the 500 Ω in a 100 V line system.

Wiring Diagram

UNIT: mm



A&E specifications

The speaker shall be a wall-mount speaker design that harmonizes with the venue's architecture and interior decor. The proportion shall be based on the Golden Ratio. The speaker shall be ideal for BGM, announcement and voice evacuation applications due to wide frequency range.

The speaker unit shall combine a 12 cm (5") cone type low frequency speaker with a balanced dome-type tweeter. The unit shall be wall mountable with a supplied plug-in speaker receptacle accessory. The input connector shall be a M4 screw terminal, with an 11 mm distance between barriers. A fire-resistant screw terminal block with thermal fuse should be supplied. Input impedance shall be easily adjustable with rotary switch on the rear side of the speaker.

The speaker shall include a transformer having multiple taps (10 W, 5 W, 3 W, 1 W at 100 V line and 10 W, 5 W, 2.5 W, 1.5 W, 0.5 W at 70 V line) adjustable. The output sound pressure level at a distance of 1 m with a 1 W input level applied shall be 89 dB SPL. The speaker shall have a frequency response of 120 – 20 kHz (-20 dB). The speaker shall have an ingress protection for indoor applications: IEC 60529 / EN 60529 drip-proof rating of IP21C. The speaker enclosure shall be constructed of fire resistant HIPS resin that has fire resistant grade UL94V-0. The grille shall be constructed of surface-treated steel plate net. The speaker shall be available in off-white colour (RAL 9010 or equivalent). The unit shall have dimensions of 210 (W) × 330 (H) × 80 (D) mm (8.27" × 12.99" × 3.15"), and a weight of 1.4 kg (3.09 lb). The speaker shall be certified according to EN 54-24 with CPD Number 0359-CPD-0102, certified according to ISO 7240-24.

The speaker shall be a TOA model BS-1034EN.