

## BS-1030W

### COMPACT SPEAKER (WHT)



The BS-1030W is a small, 2-way bass-reflex type speaker featuring a wide frequency range suitable for use for announcements and music playback. The BS-1030W can be used for both high-impedance and low-impedance applications. The speaker's splash-proof construction permits it to be installed under the eaves where the speaker is not directly exposed to rain.

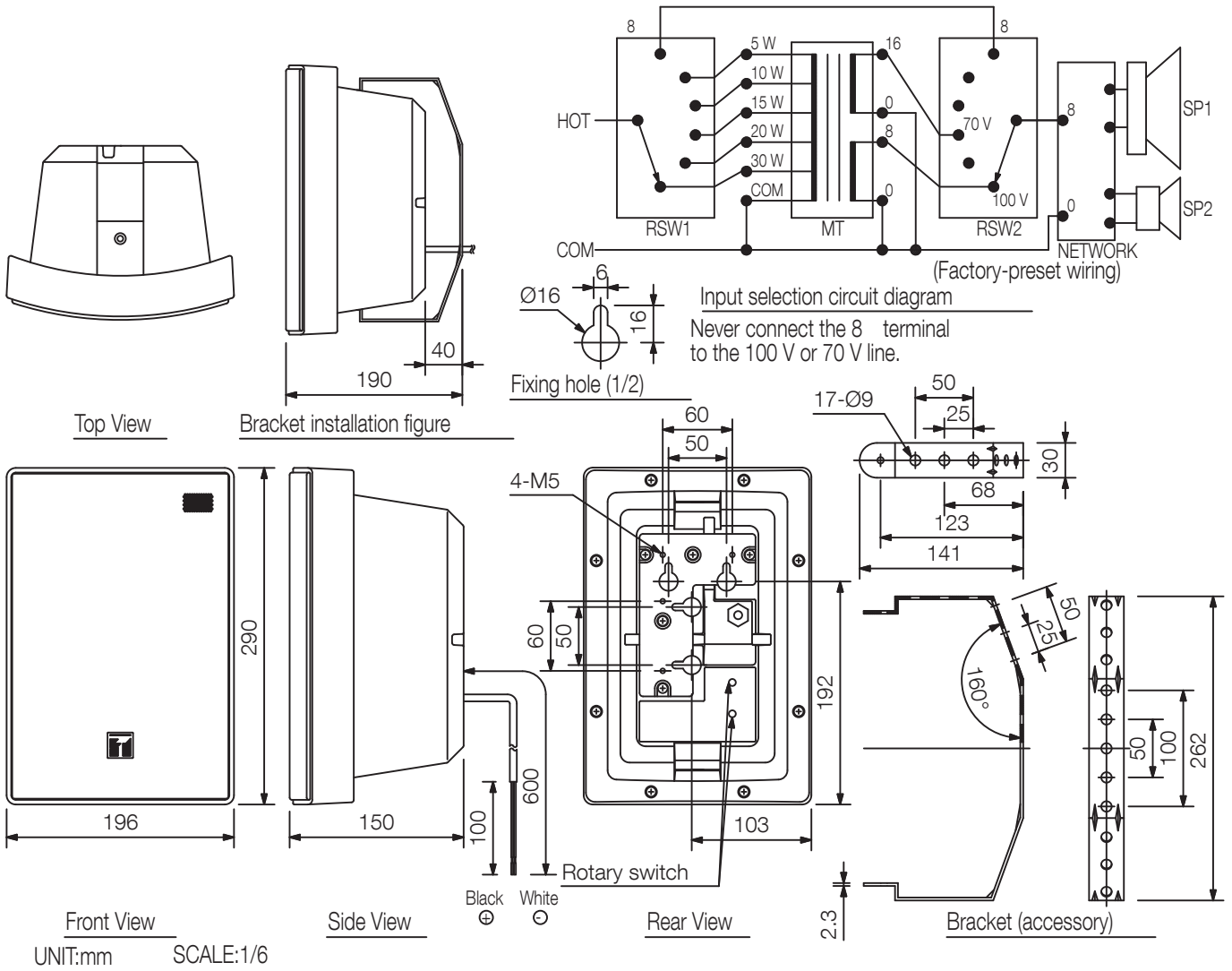
### Key features

- 2-way bass reflex speaker
- Cost-effective high power PA box speaker
- Various installation options
- Low impedance ( $8\Omega$ ) or high impedance (100V) selectable by rotary switch
- Splashproof construction in compliance with IPX3

## Specifications

Enclosure	2-way bass-reflex type
Rated Input	30 W
Rated Impedance	8 $\Omega$ 100 V line: 330 $\Omega$ (30 W), 500 $\Omega$ (20 W), 670 $\Omega$ (15 W), 1 k $\Omega$ (10 W), 2 k $\Omega$ (5 W) 70 V line: 170 $\Omega$ (30 W), 250 $\Omega$ (20 W), 330 $\Omega$ (15 W), 500 $\Omega$ (10 W), 1 k $\Omega$ (5 W)
Sound Pressure Level	90 dB (1 W, 1 m)
Frequency Response	80 Hz - 20 kHz
Speaker Component	12 cm cone-type + dome-type
Speaker Cable	2-core cabtyre cord with diameter of 6 mm
Water Protection	IPX4 (can be installed vertically or horizontally.*)
Operating Temperature	-10 # to +50 #
Finish	Enclosure: ABS resin, white (RAL9010 PURE WHITE), paint Net: Surface treated steel plate, white (RAL9010 PURE WHITE), powder coating Bracket: Surface treated steel plate, white equivalent to RAL9010 PURE WHITE, powder coating
Dimensions	196 (W) x 290 (H) x 150 (D) mm (unit only)
Weight	2.5 kg (unit only)
Included Accessories	Bracket...1, Bracket mounting screw...2, Bracket mounting washer...2
Optional Accessories	Mounting bracket: SP-420 Applicable bracket: WCB-13W, SP-410 Applicable stand: ST-16A

# Dimensions



## A&E specifications

Speaker box with elegant softline design fits into modern architecture. High quality 2-way speaker in a bass reflex enclosure suitable for flush-mounting/ surface-mounting wall/ceiling speaker with optional bracket or on an optional floor stand, including 100V-transformer,

12 cm cone Woofer and 2.5 cm dome tweeter designed for both music reproduction and high intelligibility, rotary switch for power adjustment including low impedance selection on the rear. Low resonance ABS enclosure with removable metal grille in the same color as the body , with U-brackets for tilt and pan.