

BS-1015BSW

COMPACT SPEAKER



The BS-1015BSW is the voice alarm certification product. 2 way speaker system is suitable for announcement and music use in wide frequency range. Speaker design that harmonize with the venue's architecture and decor.

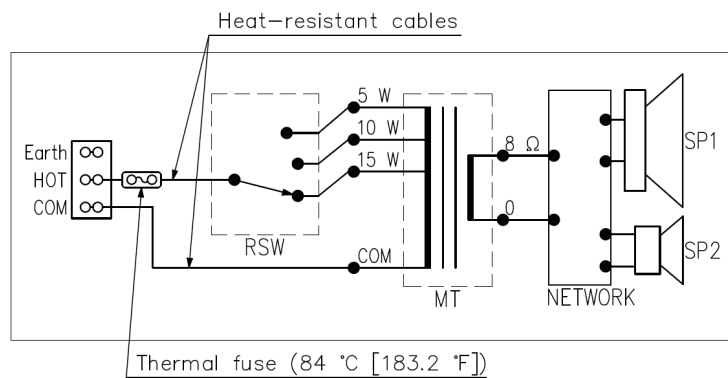
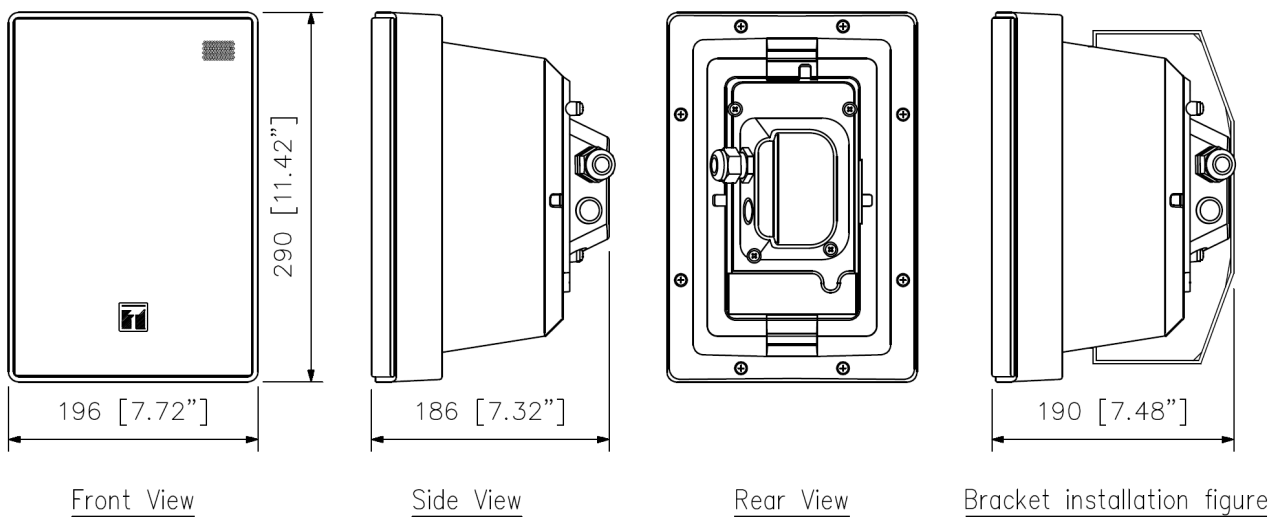
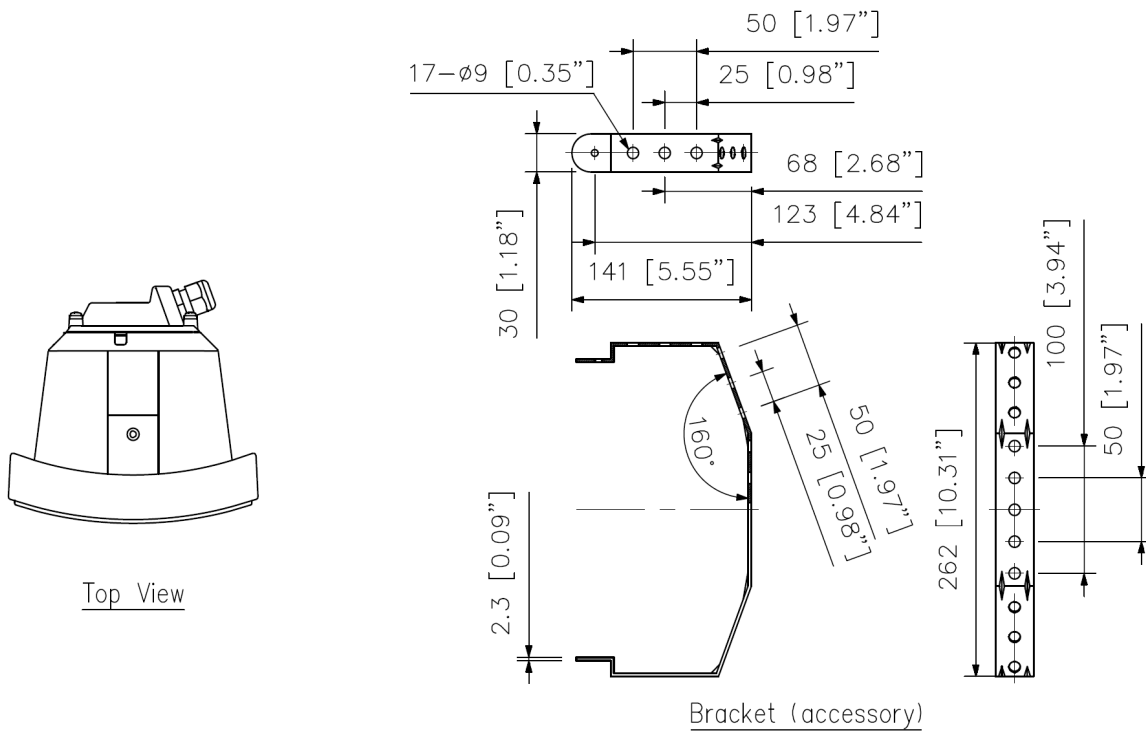
Key features

- 2-way hi-fi speaker
- Easy and quick installation
- Fits architecturally sophisticated environments
- Certified according to EN 54-24, ISO 7240-24
- Compliant with BS-5839-8

Specifications

| | |
|-------------------------|---|
| Enclosure | 2-way bass-reflex system |
| Rated Noise Power | 15 W (100 V Line), 7.5 W (70 V Line) |
| Rated Impedance | 100 V line: 670 Ω (15 W), 1 k Ω (10 W), and 2 k Ω (5 W) 70 V line: 670 Ω (7.5W), 1 k Ω (5 W), 2k Ω (2.5W) |
| Sensitivity | 90 dB (1 W, 1 m) (500 Hz - 5 kHz, pink noise) 87 dB (1 W, 1 m) (100 Hz - 10 kHz, pink noise) 75 dB (1 W, 4 m) (100 Hz - 10 kHz, pink noise) |
| Max. SPL | 98 dB (15 W, 1 m) (100 Hz - 10 kHz, pink noise) 86 dB (15 W, 4 m) (100 Hz - 10 kHz, pink noise) |
| Frequency Response | 80 Hz - 20 kHz |
| Coverage Angle | Horizontal: 220° (500 Hz), 150° (1 kHz), 120° (2 kHz), 90° (4 kHz) Vertical: 330° (500 Hz), 160° (1 kHz), 120° (2 kHz), 70° (4 kHz) |
| Environmental Type | A (indoor applications) |
| Speaker Component | Low frequency: 12 cm (5) cone-type High frequency: 2.5 cm (1) balanced dome tweeter |
| Speaker Mounting Method | Wall-mount |
| Cable Gland | Size: PG 13.5 One cable gland is factory-installed. For bridge connection, one supplied cable gland can be added.* |
| Cable Requirements | Outer diameter: \varnothing 6.6 - \varnothing 12.5 mm Conductor: Solid wire or 7-core wire No bridge connection: 0.8 - 10 mm ² (AWG18-AWG7) for solid wire, 0.8 - 8 mm ² (AWG18-AWG8) for 7-core wire Bridge connection: 0.8 - 2.5 mm ² (AWG18-AWG13) for solid wire, 0.8 - 1.5 mm ² (AWG18-AWG15) for 7-core wire |
| Connection | Screw connector (steatite terminal) can be bridge connection |
| Operating Temperature | -10 # to +50 # (14 # to 122 #) |
| Finish | Enclosure: ABS resin, white (RAL9010 or equivalent color), paint Grille: Surface treated steel plate net, white (RAL9010 or equivalent color), powder coating Bracket: Surface treated steel platet, white (RAL9010 or equivalent color), powder coating |
| Dimensions | 196 (W) x 290 (H) x 186 (D) mm (7.72 x 11.42" x 7.32") (without bracket) |
| Weight | 2.4 kg (5.29 lb) (without bracket) |
| Included Accessories | Bracket...1, Bracket mounting screw...2, Rear cover...1 |

Dimensions



Wiring diagram

A&E specifications

The speaker shall be a High-quality 2-way bass type reflex fitted with a 12cm cone woofer and a 2.5cm dome tweeter speaker suitable for wall or ceiling mounting. Fire-resistant terminal block made of steatite, thermal fuse with blowing temperature of 84°C, internal cables with flame-resistant insulation. Fire Rated Cable can be directly connected to the speaker via 20mm cable glands. The speaker shall be certified according to EN 54-24: 2008 with CPD Number 0359-CPD-0105. Certified according to ISO 7240-24: 2010, Complies to BS-5839-8: 2008 14.8.

The speaker shall include a transformer having multiple taps (5W, 10W, 15W) at 100V adjustable via rotary switch. The output sound pressure level at a distance of 1m with a 1W input level applied shall be 90 dB SPL. The speaker shall have a frequency response of 80 – 20,000Hz (peak -20dB). Ingress Protection, IP33C. The speaker Grill shall be constructed of surface treated steel plate and the cabinet shall be constructed of ABS resin. The speaker shall be available in white or black color. The unit shall have dimensions of 196 (W) × 290 (H) × 180 (D) mm, and a weight of 2.5 kg.

The speaker shall be TOA model BS-1015BSW.