

Datasheet

S Range - Symmetrical strikes

Product Description

The S Series strikes are universal, symmetrical and have are supplied with a reversible faceplate ([TG1I](#)) as standard. They are made of Zamak® for a greater strength and have a 4mm adjustable jaw.

These strikes are the most suitable for the market, with a height of 67mm, enabling the range to be integrated into all door configurations.

The diode inside all S Series strikes protects your system against self-inflicted damage to electronic control equipment.



Key Features

- Symmetrical strike, reversible faceplate
- 3250 holding force
- Terminal block
- 4 mm adjustable jaw
- Dual voltage
- Built-in back EMF protection



Certification



Certification



DEEE



Certification



IK10

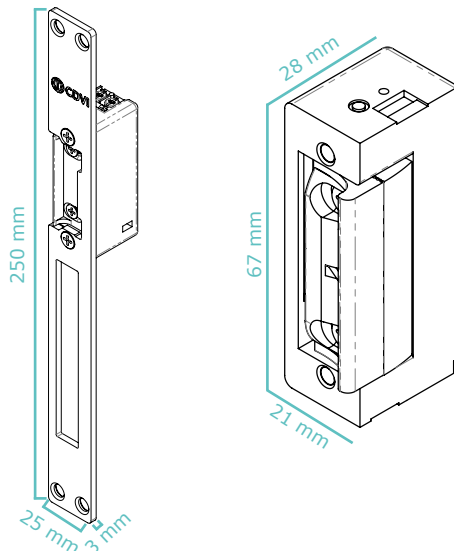


-15°C to 50°C

All the information contained within this document (pictures, drawings, features, dimensions, specifications), could be perceptibly different and can be changed without prior notice. Published: 08 April 2025. CDVI_S_Series_DS_04_EN-FR_A4_C

Product Specifications

Material:	Zamak®, Stainless steel
Mounting:	Flush-mounted
Lock mode:	Fail safe or fail secure
Handed:	Non-handed, reversible
Holding force:	3250 N
Cycles tested:	Tested to 300,000 cycles
Jaw type:	Adjustable
Dimensions:	
• Strike:	67 x 21 x 28 mm
• Faceplate:	250 x 25 x 3 mm



Electrical Specifications

Power input:	12Vdc, 24Vdc, 10-24Vac/dc
Consumption:	
• Fail secure AC/DC:	200mA @ 12Vac, 400mA @ 24Vac 235mA @ 12Vdc, 470mA @ 24Vdc
• Fail safe:	200mA @ 12Vdc, 100mA @ 24Vdc

Accessories



TG11

Stainless steel reversible faceplate



T290

Stainless steel faceplate with deadbolt cut-out

Range references

F0502000019	SIR12	Symmetrical fail safe strike, 12Vdc
F0502000020	SIR24	Symmetrical fail safe strike, 24Vdc
F0502000047	SR1024	Symmetrical fail secure strike, 10-24Vac/dc, continuous current
F0513000063	T290SR1024	Symmetrical fail secure strike with T290 faceplate, 10-24Vac/dc, continuous current