

Milesight

# 4G Solar-powered ANPR Camera Kit

Applicable Solution:  
S100B96 (or S100B55)  
+ SP111 Camera+ SA02+ A02



AI



4G



Solar-Powered



1TB Storage



Battery pack is available

## KEY FEATURES

### 17 Days Battery Life Guaranteed

Even on rainy days, it can achieve up to 17 days of extended standby time, providing long-term uninterrupted reliability to safeguard every moment that matters.

### Intelligent Energy-saving Operation Mode

Efficient and energy-saving, it focuses on the events you care about most. It also allows for scheduled sleep to conserve energy. Various modes ensure the stable and secure operation of the Kit system.

**Advanced AI algorithms** enable precise detection and alerting of abnormal situations.

Various intelligent analyses can be applied to multiple scenarios such as vehicle monitoring, No-plate Vehicle alerts, and White/Black List Management, making the management of remote areas easier.

[\(ANPR, Vehicle Type, No-plate Vehicle Capture, White/Black List Management\)](#)

**Rugged and sturdy waterproof design** with an **IP67** rating.

# 4G Solar-powered ANPR Camera Kit



Name		4G Solar-powered ANPR Camera (4MP)
<b>Model</b>		<b>SP111 /41L</b>
<b>Image</b>	Image Sensor	1/2.8" Progressive Scan CMOS
	Min. Illumination	Color: 0.005Lux @F1.6 B/W: 0Lux with IR on
	WDR	120dB Super WDR
	Shutter Time	1/100000s~1s
	Day/Night Mode	Day/Night/Auto/Customize/Schedule
	IR Wave Length	850nm/740nm
	IR Distance	Up to 20 m (65.62 ft)
	S/N	>55dB
<b>Lens</b>	Lens	6mm/16mm
	Mount	M12
	Field of View	6mm: H52.8°/D60.4°/V29.7° 16mm: H19.4°/D22.2°/V11°
<b>Video</b>	Max. Image Resolution	4MP (2688*1520)
	Primary Stream	60Hz/50Hz: 15fps@(2688*1520, 2304*1296, 1920*1080, 1280*720)
	Secondary Stream	60Hz/50Hz: 15fps@(1280*720, 704*576, 640*480)
	Video Compression	H.265+/H.265(HEVC)/H.264+/H.264
	Video Bit Rate	16Kbps~16Mbps(CBR/VBR Adjustable)
	Privacy Masking	Up to 4 areas (Mask)
	ROI	Up to 8 areas
	Image Setting	Brightness/Contrast/Saturation/Sharpness
	Web Access	WIFI/VPN/Milesight VMS

# 4G Solar-powered ANPR Camera Kit



<b>Interface</b>	Alarm I/O	Input *1, Output *1
	Audio I/O	Input *1, Output *1
	Ethernet	1*RJ45 10M/100M Ethernet Port
	RS485	1
<b>Wireless Network</b>	WLAN	802.11n/802.11g
	Cellular	4G LTE NA: LTE-FDD(B2/4/5/12/13/14/66/71) AU: LTE-FDD(B1/2/3/4/5/7/8/28) ; LTE-TDD(B40) JP: LTE-FDD(B1/3/8/18/19/26); LTE-TDD(B41) EU: LTE-FDD(B1/3/7/8/20/28A); LTE-TDD(B38/40/41)
	SIM Card	Nano SIM
<b>Intelligent Analytics</b>	ANPR Distance	6mm: Up to 10m 16mm: Up to 20m
	Coverage	Up to 2 lanes
	Recognition Accuracy	≥ 95%
	Max. Vehicle Speed	Vehicles with a speed of ≤ 70 km/h (43.5 mile/h)
	Attributes Identification	Vehicle Type, No-plate Vehicle Capture, White/Black List Management
	Country Region Supported	More than 20 countries and regions
	White/Black List	Up to 20,000 records inside the camera
<b>System</b>	GPS	Built-in High-accuracy GPS Module
	Storage	Support microSD/SDHC/SDXC Card Local Storage, up to 1TB
	Advanced Function	BLC, HLC, 2D DNR, 3D DNR, Defog, AWB, IP Address Filtering, AGC, Anti-flicker, Corridor Mode, Deblur
	Event Trigger	Intelligent Analytics, External Input, etc.
	Event Action	HTTP Post, FTP Upload, SMTP Upload, SD Card Record, External Output, Snapshot, Play Audio, Alarm to SIP Phone, etc.
	System Compatibility	ONVIF Profile G & M & S & T, API
<b>General</b>	Working Temperature	Charging: -20 °C to 45 °C (-4 °F to 113 °F) Discharging: -20 °C to 60 °C (-4 °F to 140 °F)
	Working Humidity	0~95% (Non-condensing)
	Power Supply	DC 12V±10%
	Power Consumption	<b>Sleep Mode:</b> 0.19 W <b>Basic:</b> 1.72 W (ANPR + 4G Module OFF) <b>Max:</b> 3.51 W (Illuminator + ANPR + 4G streaming ON)


# 4G Solar-powered ANPR Camera Kit



<b>General</b>	Surge Protection	4KV
	Weather Proof	Up to IP67-rated for Weather-resistant Performance
	Camera Dimensions	120*120*260 mm
	Camera Weight	2.2kg
	Warranty	3 years
<b>Certification</b>	EMC	CE-EMC (EN 55032,EN 55035) FCC (PART 15B) RCM (AS/NZS CISPR 32)
	Safety	CE-LVD (EN IEC 62368-1) RCM (AS/NZS 62368.1)
	FR	CE-RED (EN 300 328,EN301489-1,EN301489-17,EN 62133) FCC (Part 15.247) RCM (AS/NZS 4268,AS/CA S042.1,AS/CA S042.4,AS/NZS 2772.2) Telec (MIC Item 19 of Article 2 Paragraph 1)
	Environment	CE-ROHS (Directive (EU) 2015/863 amending 2011/65/EU)

# 4G Solar-powered ANPR Camera Kit



Name		S100 Solar Power System	
Model		S100B55	S100B96
Appearance			
Solar Panel Modules in Kit		Default: 1 units; Optional: 2 units	
Charge	PV Power	100W	
	PV Input Voltage	18V	
	Material	Monocrystalline silicon	
Energy Storage	Battery Type	NMC	
	Battery Capacity	50AH	90AH
	Total Energy	555Wh	962Wh
	Battery Life	9 days (without data transmission), 6 days (with data transmission)	17 days (without data transmission), 11 days (with data transmission)
	Deep Cycles	> 1000	
	Nominal Voltage	11.1V	
Discharge	Output Voltage	9~12.6V DC	
	Maximum Output Current	10A	
	Discharge Depth	95%DOD	
Function	Battery Heating	Charging current > 2A and lower than -5°C turns on	
	Protection Type	Overcurrent/ Overvoltage/ Short Circuit/ Undervoltage/ Temperature	
	Charging Temperature Range	0°C~60°C	
	Discharging Temperature Range	-20°C~65°C	
	Status Indicator	LED (charging status, battery status, output status)	
Interface	Communication	RS485	
	Output Method	M12 5-pin Connector	
	Output Line Length	1.5m	

# 4G Solar-powered ANPR Camera Kit

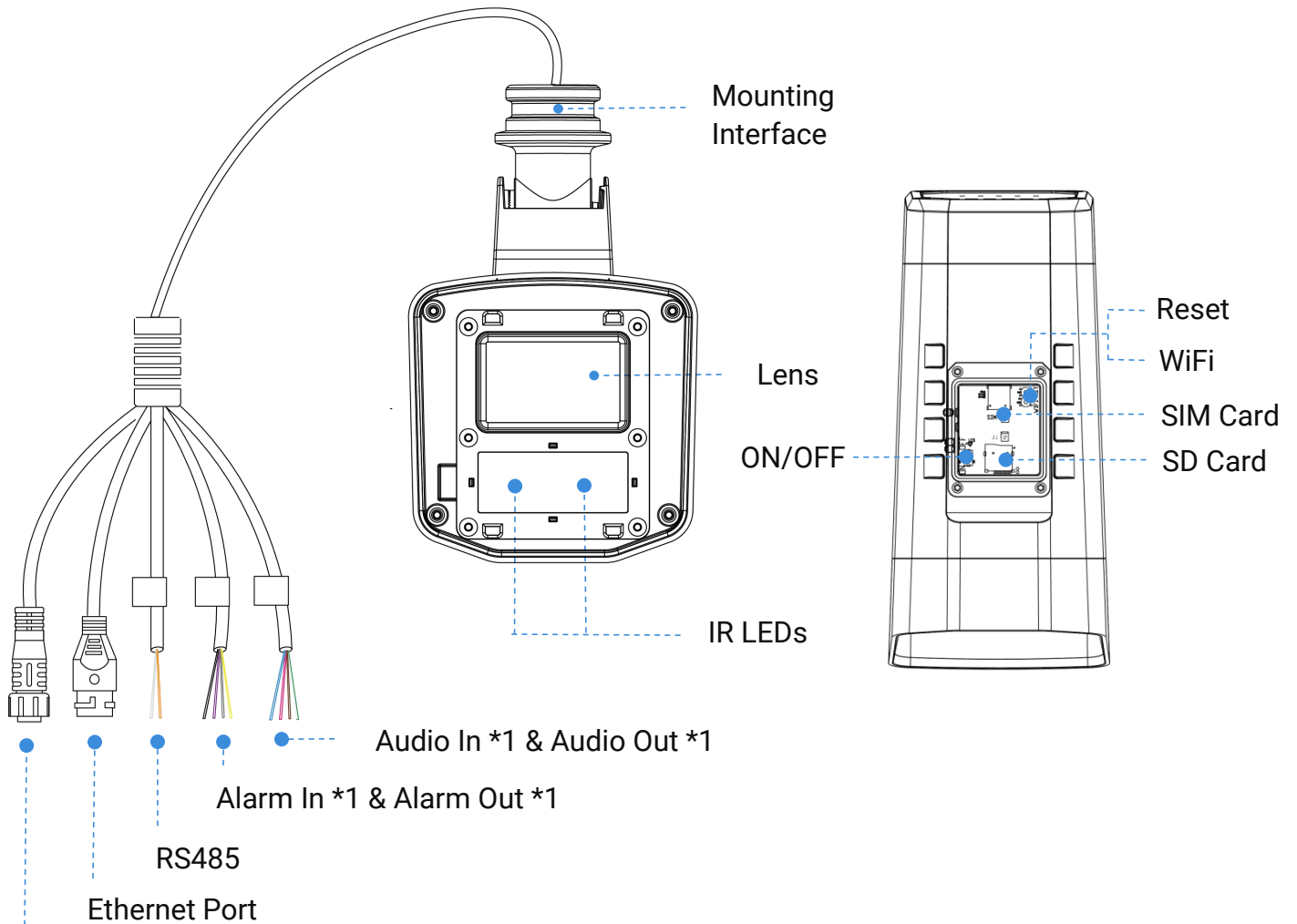


<b>Interface</b>	Supported Cables	Dual Device Power Splitter Cable Bridge Data & Power Cable (RS485 & DC Output) Main Power Cable	
<b>General Parameters</b>	Waterproof	IP66	
	Humidity Range	4-100% (no condensation)	
	Cooling Method	Natural Heat Dissipation	
	Hazardous Material Classification	9	
	Shell Material	Galvanized Steel + Plastic	
	Fixed Way	Hanging Rod / Wall Mounting	
	Product Dimensions	765*630*69 mm 825*690*105 mm (with Package)	765*630*112.5 mm 825*690*140 mm (with Package)
	Weight	13kg	16kg
	Warranty	2 years	
	Certificate	UN38.3/MSDS/CE/ROHS	

# 4G Solar-powered ANPR Camera Kit

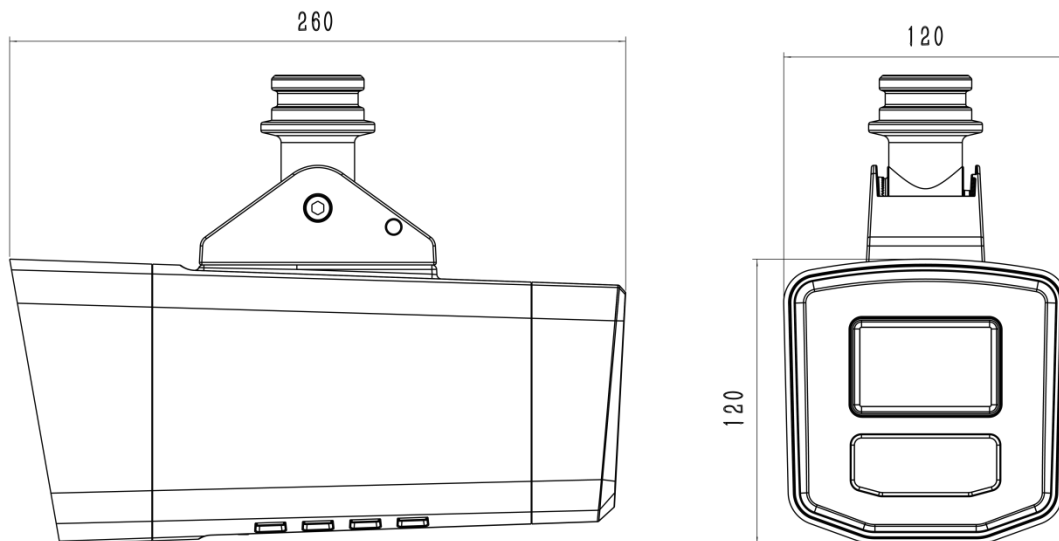


## Structure Diagrams



## Power Supply

(used for power supply and RS485 battery information communication with the battery system)



Units: mm

# 4G Solar-powered ANPR Camera Kit



## S100B55

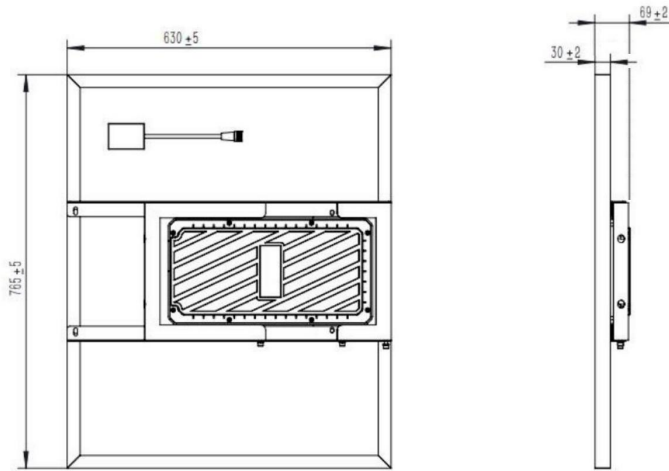
Weight: 13kg

Dimensions:

765\*630\*69 mm

825\*690\*105 mm

(with Package)



## S100B96

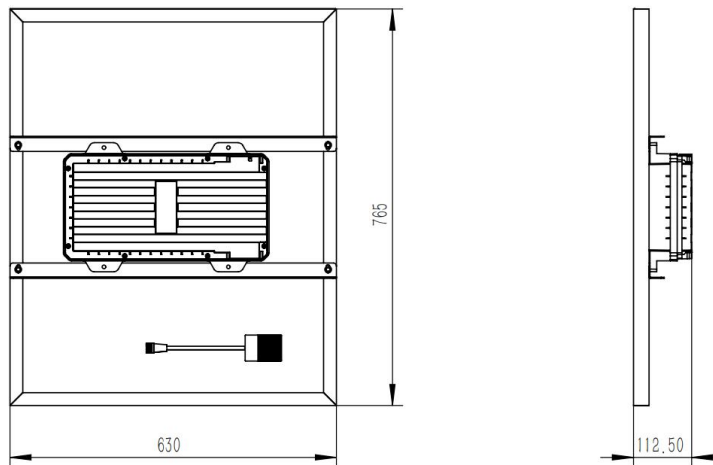
Weight: 16kg

Dimensions:

765\*630\*112.5 mm

825\*690\*140 mm

(with Package)



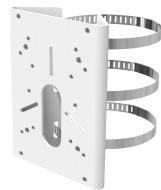
## Accessories Support

### A02 V2 Pole Mount

Weight: 1kg

Dimensions:

180\*136\*46 mm



+

### SA02 Wall Mount

Weight: 2.2kg

Dimensions:

150\*260\*400 mm



### S100 Expansion Module

Model: SA100



### Solar Power System Bracket

Model: BJ-N

Weight: 3.5kg

Dimensions: 220\*217.5\*30 mm



**Milesight** | [www.milesight.com](http://www.milesight.com)

Contact Us: [sales@milesight.com](mailto:sales@milesight.com) [support@milesight.com](mailto:support@milesight.com)

Add: Phase III, Xiamen 361024, Fujian, China

Building c09, Software Park

Tel: +86-592-5922772