

**DS-2CD1H43G2-IZ**  
**4 MP MD 2.0 Varifocal Turret Network Camera**



- High quality imaging with 4 MP resolution
- Support Human and Vehicle Detection
- 2.8 to 12 mm motorized varifocal lens for easy installation and monitoring
- Up to 256 GB memory card slot for storage
- Water and dust resistant (IP67)
- EXIR 2.0: advanced infrared technology with long IR range
- Clear imaging even with strong back lighting due to 120 dB WDR technology
- Efficient H.265+ compression technology

## ▪ Specification

| Camera                      |  |
|-----------------------------|--|
| Image Sensor                | 1/3" Progressive Scan CMOS   |
| Max. Resolution             | 2560 × 1440  |
| Min. Illumination           | Color: 0.005 Lux @ (F1.6, AGC ON), B/W: 0 Lux with IR  |
| Shutter Time                | 1/3 s to 1/100,000 s   |
| Day & Night                 | IR cut filter  |
| Angle Adjustment            | Pan: 0° to 360°, tilt: 0° to 75°, rotate: 0° to 360°   |
| Lens                        |  |
| Lens Type                   | Varifocal lens, motorized lens, 2.8 to 12 mm   |
| Focal Length & FOV          | 2.8 to 12 mm, horizontal FOV 95.9° to 29.2°, vertical FOV 50.6° to 16.4°, diagonal FOV 114.7° to 33.5°                                   |
| Lens Mount                  | Ø14  |
| Iris Type                   | Fixed  |
| Aperture                    | F1.6   |
| Illuminator                 |  |
| Supplement Light Type       | IR   |
| Supplement Light Range      | Up to 30 m   |
| IR Wavelength               | 850 nm   |
| Smart Supplement Light      | Yes  |
| Video                       |  |
| Main Stream                 | 50 Hz:<br>20 fps (2560 × 1440)<br>25 fps (1920 × 1080, 1280 × 720)<br>60 Hz:<br>20 fps (2560 × 1440)<br>24 fps (1920 × 1080, 1280 × 720) |
| Sub-Stream                  | 50 Hz: 25 fps (1280 × 720, 640 × 480, 640 × 360)<br>60 Hz: 24 fps (1280 × 720, 640 × 480, 640 × 360)                                     |
| Video Compression           | Main stream: H.265+/H.265/H.264+/H.264,<br>Sub-stream: H.265/H.264/MJPEG   |
| Video Bit Rate              | 32 Kbps to 8 Mbps  |
| H.264 Type                  | Baseline Profile, Main Profile, High Profile   |
| H.265 Type                  | Main Profile   |
| Region of Interest (ROI)    | 1 fixed region(s) for main stream  |
| Audio                       |  |
| Audio Compression           | -S: G.711ulaw/G.711alaw/G.722.1/G.726/MP2L2/PCM/AAC-LC   |
| Audio Bit Rate              | -S: 64 Kbps (G.711)/16 Kbps (G.722.1)/16 Kbps (G.726)/32 to 160 Kbps (MP2L2)/16 to 64 Kbps (AAC-LC)                                      |
| Audio Sampling Rate         | -S: 8 kHz/16 kHz   |
| Environment Noise Filtering | -S: Yes  |
| Network                     |  |
| Protocols                   | TCP/IP, ICMP, DHCP, DNS, HTTP, RTP, RTSP, NTP, IGMP, IPv6, UDP, QoS, FTP, SMTP   |
| Simultaneous Live View      | Up to 6 channels   |
| API                         | Open Network Video Interface (Profile S, Profile G, Profile T), ISAPI, SDK   |

|                                  |   |
|----------------------------------|---|
| User/Host                        | Up to 32 users<br>3 user levels: administrator, operator, and user  |
| Client                           | iVMS-4200, Hik-Connect  |
| Security                         | Password protection, complicated password, watermark, basic and digest authentication for HTTP, WSSE and digest authentication for Open Network Video Interface, security audit log, host authentication (MAC address)  |
| Web Browser                      | Plug-in required live view: IE 10, IE 11,<br>Local service: Chrome 57.0+, Firefox 52.0+   |
| <b>Image</b>                     |   |
| Image Settings                   | Rotate mode, saturation, brightness, contrast, sharpness, gain, white balance, adjustable by client software or web browser   |
| Day/Night Switch                 | Day, Night, Auto, Schedule  |
| Wide Dynamic Range (WDR)         | 120 dB  |
| Image Enhancement                | BLC, HLC, 3D DNR  |
| <b>Interface</b>                 |   |
| Ethernet Interface               | 1 RJ45 10 M/100 M self-adaptive Ethernet port   |
| On-Board Storage                 | Built-in memory card slot, support microSD/microSDHC/microSDXC card, up to 256 GB   |
| Audio                            | -S: 1 input(s) (line in), two-core terminal block, max. input amplitude: 3.3 Vpp, input impedance: 4.7 K $\Omega$ , interface type: non-equilibrium,<br>-S: 1 output(s) (line out), two-core terminal block, max. output amplitude: 3.3 Vpp, output impedance: 100 $\Omega$ , interface type: non-equilibrium |
| Alarm                            | -S: 1 input(s), 1 output(s) (max. 12 VDC, 30 mA)  |
| Reset Key                        | Yes   |
| <b>Event</b>                     |   |
| Basic Event                      | Motion detection (support alarm triggering by specified target types (human and vehicle)), video tampering alarm, exception   |
| Linkage                          | Upload to FTP/memory card, notify surveillance center, send email, trigger recording, trigger capture, trigger alarm output (-S)  |
| <b>General</b>                   |   |
| Power                            | 12 VDC $\pm$ 25%, 0.75 A, max. 9 W, $\varnothing$ 5.5 mm coaxial power plug,<br>PoE: 802.3af, Class 3, 36 V to 57 V, 0.27 A to 0.17 A, max. 10 W  |
| Dimension                        | $\varnothing$ 129.4 mm $\times$ 116.4 mm ( $\varnothing$ 5.1" $\times$ 4.6")  |
| Package Dimension                | 170 mm $\times$ 170 mm $\times$ 150 mm (6.7" $\times$ 6.7" $\times$ 5.9")   |
| Weight                           | Approx. 595 g (1.3 lb.)   |
| With Package Weight              | Approx. 880 g (1.9 lb.)   |
| Storage Conditions               | -30 $^{\circ}$ C to 60 $^{\circ}$ C (-22 $^{\circ}$ F to 140 $^{\circ}$ F). Humidity 95% or less (non-condensing)   |
| Startup and Operating Conditions | -30 $^{\circ}$ C to 60 $^{\circ}$ C (-22 $^{\circ}$ F to 140 $^{\circ}$ F). Humidity 95% or less (non-condensing)   |
| Language                         | English, Ukrainian  |
| General Function                 | Heartbeat, anti-banding, mirror, password protection, privacy mask, watermark   |

| Approval    |  |
|-------------|--|
| EMC         | FCC: 47 CFR Part 15, Subpart B,<br>CE-EMC: EN 55032: 2015, EN 61000-3-2:2019, EN 61000-3-3: 2013+A1:2019, EN 50130-4:2011 +A1: 2014,<br>RCM: AS/NZS CISPR 32: 2015,<br>IC: ICES-003: Issue 7 |
| Safety      | UL: UL 62368-1,<br>CB: IEC 62368-1:2014+A11,<br>CE-LVD: EN 62368-1:2014/A11: 2017,<br>BIS: IS 13252 (Part 1): 2010/IEC 60950-1:2005  |
| Environment | CE-RoHS: 2011/65/EU,<br>WEEE: 2012/19/EU,<br>Reach: Regulation (EC) No 1907/2006   |
| Protection  | IP67: IEC 60529-2013   |

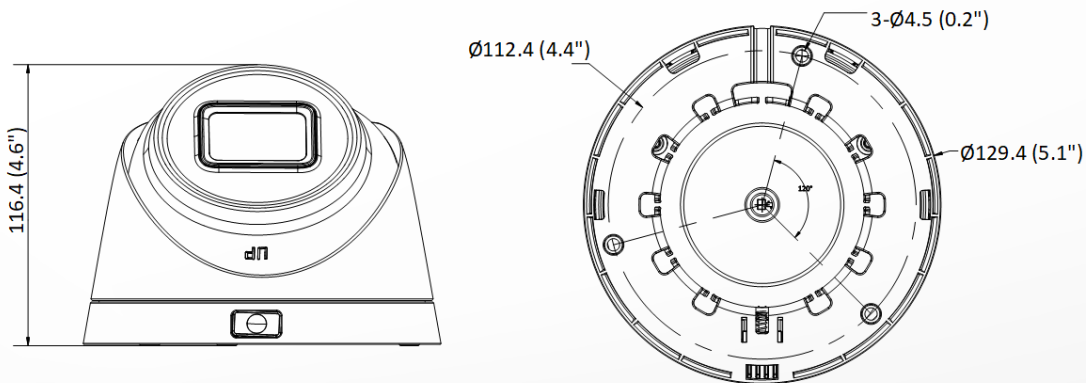
### ▪ Typical Application

Hikvision products are classified into three levels according to their anti-corrosion performance. Refer to the following description to choose for your using environment.

This model has NO SPECIFIC PROTECTION.

| Level                  | Description  |
|------------------------|--|
| Top-level protection   | Hikvision products at this level are equipped for use in areas where professional anti-corrosion protection is a must. Typical application scenarios include coastlines, docks, chemical plants, and more.   |
| Moderate protection    | Hikvision products at this level are equipped for use in areas with moderate anti-corrosion demands. Typical application scenarios include coastal areas about 2 kilometers (1.24 miles) away from coastlines, as well as areas affected by acid rain. |
| No specific protection | Hikvision products at this level are equipped for use in areas where no specific anti-corrosion protection is needed.  |

### ▪ Dimension



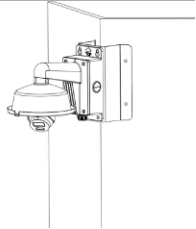
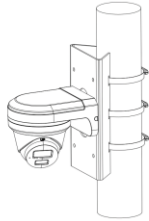
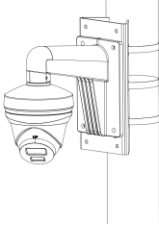

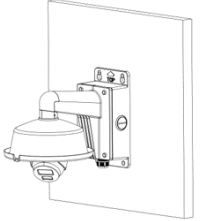





Unit: mm (inch)

▪ **Accessory**

▪ **Optional**

|   |   |   |   |   |
|---|---|---|---|---|
| <b>DS-1276ZJ-SUS</b>  | <b>DS-1275ZJ-S-SUS</b>  | <b>DS-1271ZJ-130-TRL</b>  | <b>DS-1273ZJ-130B-T<br/>RL</b>  | <b>DS-220AZJ-130-WA</b>   |
|  |  |  |  |  |
| <b>DS-1275ZJ-SUS</b>  | <b>DS-1273ZJ-130-TRL</b>  | <b>DS-1280ZJ-DM8</b>  | <b>DS-1281ZJ-M</b>  | <b>DS-220AZJ-145-WA</b>   |
|  |  |  |  |  |

▪ **Installation Methods**

|   |   |   |  |   |
|---|---|---|--|---|
| <b>Corner Mounting</b><br>DS-1276ZJ-SUS+DS-1273ZJ-130B-TRL+DS-1253ZJ-L              | <b>Vertical Pole Mounting</b><br>DS-1275ZJ-S-SUS+DS-220AZJ-130-WA                   | <b>Vertical Pole Mounting</b><br>DS-1275ZJ-SUS+DS-1273ZJ-130-TRL                    | <b>Pendant Mounting</b><br>DS-1271ZJ-130-TRL   | <b>Wall Mounting</b><br>DS-1273ZJ-130B-TRL+DS-1253ZJ-L                                |
|  |  |  |  |  |
| <b>Wall Mounting</b><br>DS-220AZJ-130-WA  | <b>Wall Mounting</b><br>DS-1273ZJ-130-TRL   | <b>Wall Mounting</b><br>DS-220AZJ-145-WA  | <b>Junction Box</b><br>DS-1280ZJ-DM8   | <b>Inclined Ceiling Mounting</b><br>DS-1281ZJ-M                                       |
|  |  |  |  |  |

# See Far, Go Further



[www.hikvision.com](http://www.hikvision.com)  
[support@hikvision.com](mailto:support@hikvision.com)

