

[Datasheet](#)[OP-VID-PRO-INT](#)[Alta Access](#)

Avigilon Video Intercom Reader Pro

Expandable access control for the modern workplace



The Avigilon Video Intercom Reader Pro combines video security, an intelligent intercom, and Smart Reader into a single device with a modern, mullion form factor. Designed to enhance security with visibility, and improve the visitor experience, the Video Intercom Reader Pro is ideal for public and main entrances. Guests can use the intercom to initiate calls, communicate with assigned users, and are visually verified in the Alta Open mobile app. Associate video footage with access events, and monitor entries in Alta Access. The Video Intercom Reader Pro is a multi-technology reader that supports both low (125 kHz) and high (13.56 MHz) frequency RFID credentials.



Smart intercom

Visitors can use the built-in voice assistant to access a customizable user directory that includes front desk, apartment, and business tenants. They simply say the contact's name or ask for the front desk to connect instantly.



Seamless provisioning

Integrations with identity service providers, like Okta, Microsoft Active Directory and Google, to streamline end-user roll out when used with mobile credential provisioning. Supports remote unlocking with user-level privileges.



Clear calls

Two-way audio streaming, with live video and echo and noise cancellation lets users easily communicate with and visually verify guests at the doors.



Fast, reliable mobile access

Patented Triple Unlock with Bluetooth, WiFi and cellular data ensures reliable unlocks with mobile credential options like Wave to Unlock, Apple Wallet, or the Alta Open app for mobile or smart watch.



Increase visibility, improve security

Associate video with access events or alerts and monitor entries from the Alta Access mobile app or Alta Access on your computer to validate activity. Reader height and adjustable camera angle ensures optimal view of person entering.



Secure and fail safe

Tamper-resistant design, with a built-in accelerometer to alert on physical tampering events. The reader features encrypted end-to-end communication and strong public-key cryptography to keep everything protected.



Easy management and monitoring

Software runs in the cloud for easy, secure access and remote monitoring, without the need for local servers. Built-in diagnostics and real-time troubleshooting insights streamline management.

Specifications

MODEL: OP-VID-PRO-INT			
Camera	Camera Resolution	5MP (2592 x 1944)	
	Recording Rate	25 fps	
	Privacy Areas and Regions of Interest	Yes	
	Video Compression	H.264, MJPEG	
	Night Mode	Infrared light for night vision	
		IR range: 9m (29.53ft)	
	Field of View	Horizontal: 109° Vertical: 81° Diagonal: 136°	
	Image Sensor	1/2.5" 5MP CMOS	
	Bit Rate	CBR, VBR, MBR	
	Min. Illumination	Color: 2.5 lux	
		B/W: 0.0 lux (IR LED on)	
	Focal Length	2.8mm (F1.6)	
Anti-overexposure	Yes		
Wide Dynamic Range	HDR (87dB)		
Audio	Speaker	One 2W speaker	
	Microphone	Two built-in microphones	
	Noise Cancellation	Yes	
	Echo Cancellation	Yes	



MODEL: OP-VID-PRO-INT		
Intercom	Call Routing*	Direct Connect: Visitors call users by stating their name Front Desk Connect: Visitors call a group of users designated as the Front Desk Unit Connect: Visitors call one or more users by stating the unit or apartment number Visual Voicemail: Visitors may leave a voicemail to be seen by a site administrator <hr/> Advanced features: Priority ranking, schedules, and fallback routing
	Connection Methods	Phone number using PSTN protocol Notification from Alta Open mobile app Video call to Alta Open mobile app (iOS only)
	User Management	Intercom profile for each user: Includes assigned intercoms, call routing profiles, buildings, and schedules Nicknames for enhanced user identification by the voice assistant
	Virtual Directory	Print QR codes for visitors to access a user directory on their mobile phone
	Motion Detection	Detects activity and starts recording
	Onboard Video Storage	10GB eMMC for network failover recording
	Cloud Video Storage	30, 60, 90, and 180 day plans available
	SIP Mode	SIP-enabled and Voice over IP (VoIP) calling on legacy systems
	Languages	For greetings and voicemail messages: English (US), Spanish (ES), Spanish (MX), French (FR), Italian (IT), German (DE), Polish (PL)
Other	QR Code Support**	Capable of reading and forwarding QR codes to third-party systems

*Includes free licenses for 10 unique call recipients in an organization. Voice assistant license packs for 50, 100, and 500 call recipients may be purchased in Alta Access Admin.

**Enterprise or Premium subscription is required.

CREDENTIAL COMPATIBILITY		
Avigilon Alta Mobile Credential	Bluetooth LE Auto Proximity Unlock Wave to Unlock <hr/> Alta Open mobile app supported on iOS and Android™-compatible devices	
Avigilon Alta Mobile Wallet Credential*	Apple Wallet	
High-Frequency (13.56 MHz) Card and Fob	MIFARE Classic, DESFire®, Ultralight (ISO14443A) CSN	
Low-Frequency (125 kHz) Card and Fob	HID® Proximity™, ProxCard®, LenelProx®	

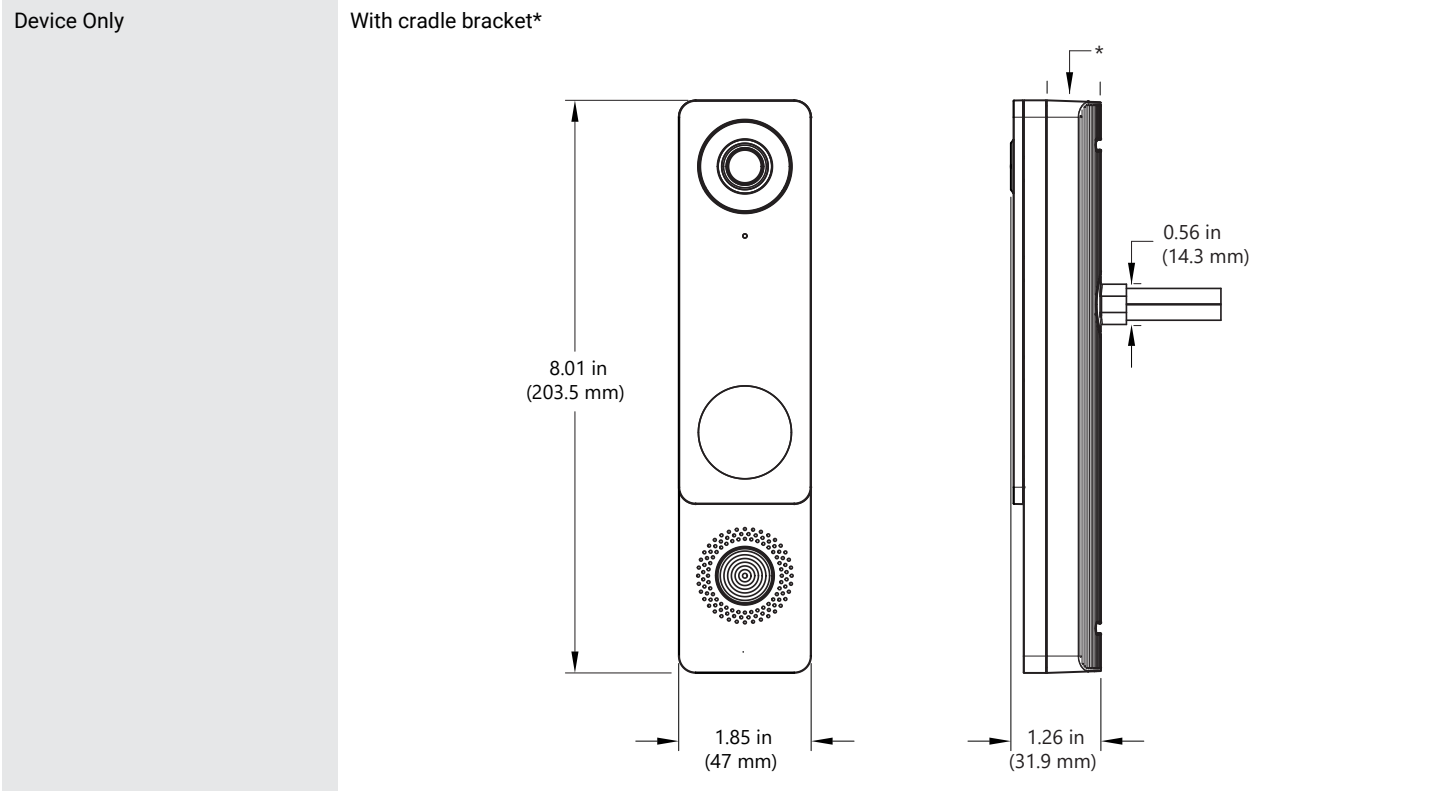
* This integration is available in the Alta Access App marketplace and requires a purchased license.

GENERAL		
LED Indicators	Video Intercom Reader Pro power on or off, user access granted or denied, entry or door locked or unlocked, provisioning and connection status to access control system	



GENERAL	
Wiring	<p>Ethernet for network connection</p> <p>Note: The Pro series reader does not require a controller, however, a Smart Hub is required to support locking hardware.</p> <p>Wiegand input/output for connection to third-party controller or device</p> <p>Relay with 100mA maximum rating for use with a powered relay for triggering a doorbell chime</p>
Communications	TLS 1.2+ encryption between Video Intercom Reader Pro and access control cloud service
Tamper	Accelerometer sensor to detect tamper events
Power	802.3af/at PoE , 10.8W power consumption

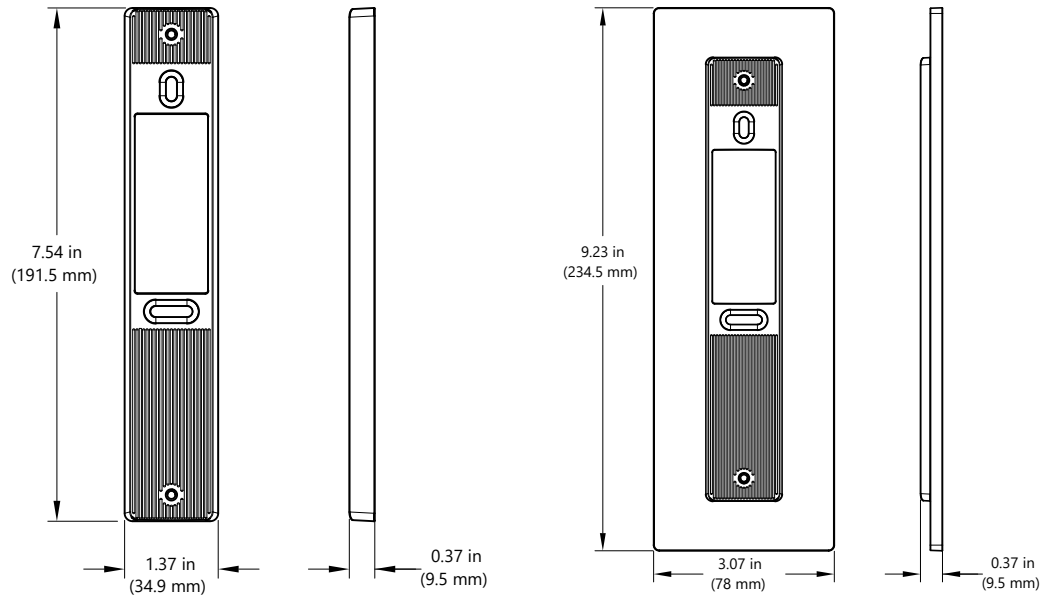
DIMENSIONS



Mounting Plate

Surface mount on wall

Standard mount on wall with US gang-box



Weight 0.85 lbs (384 g)

ENVIRONMENTAL

Temperature Operating Temperature: -40°C (-40°F) to 50°C (122°F); Cold start -25°C (-13°F)
Storage Temperature: -40°C (-40°F) to 50°C (122°F)

Humidity Operating Humidity: Up to 90% RH non-condensing

IP Rating Indoor and outdoor IP65 (IEC 60529)

Operating temperature must not be exceeded.

REGULATORY

Certifications FCC (United States), ISED (Canada), CE (Europe), UKCA (United Kingdom), NOM (Mexico), RCM (Australia, New Zealand), BIS (India), ANATEL (Brazil), UL 294*, CAN/ULC 60839-11-1
*Performance Levels: Attack Level I, Endurance Level I, Line Security Level I, Standby Power Level I

Compliance NDAA, TAA

WARRANTY

Avigilon Alta Access Warranty 5 years; for more information, visit avigilon.com/support/warranty



Ordering information

PART NUMBER	DESCRIPTION
OP-VID-PRO-INT	Avigilon Video Intercom Reader Pro
OP-ACH, OP-ACL, OP-KFH, OP-KFL	Avigilon Keycards and Fobs*

* See docs.avigilon.com/bundle/avigilon-keycards-fobs-datasheet

Support

For product support, visit: [avigilon.com](https://www.avigilon.com) or sales@avigilon.com

To learn more, visit:
[avigilon.com/access-control/video-intercom-reader-pro](https://www.avigilon.com/access-control/video-intercom-reader-pro)



Motorola Solutions, Inc. 500 West Monroe Street, Chicago, IL 60661 U.S.A. [motorolasolutions.com](https://www.motorolasolutions.com)

© 2026, Avigilon Corporation. All rights reserved. MOTOROLA, MOTO, MOTOROLA SOLUTIONS and the Stylized M Logo are trademarks or registered trademarks of Motorola Trademark Holdings, LLC and are used under license. All other trademarks are the property of their respective owners.