

DS-D5C75RB/B 75-inch Interactive Flat Panel



The Hikvision Interactive Flat Panel is a kind of newly developed intelligent teaching assistance product which integrates with the latest technologies of touch control, HD display, video processing, network communication, interactive control, sound control. It can be widely applied to the classroom, online teaching, training center, etc.

- UHD 4K display with resolution of 3840 × 2160.
- Anti-glare and anti-blocking design to ensure smooth interaction.
- Dual systems of Android and Windows (Optional with OPS) saving cost and easy to use, video conference software are recommended to run under Windows system.
- Quick response, at most 50-points touch control and smooth writing experience.
- Built-in network switch chip saves a network switch.
- All-in-one design with tempered glass and intelligent temperature control, making it environmental-friendly and safety-guaranteed, support blue light protection.
- EDLA Certified

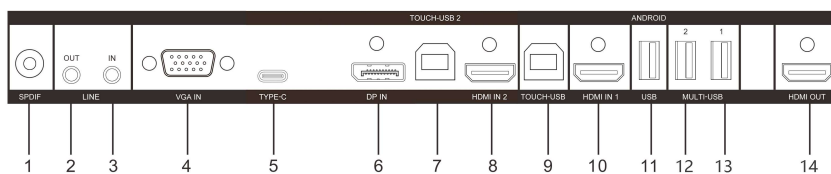
▪ Specification

| Product Model | |
|----------------------|---|
| Product Model | DS-D5C75RB/B |
| Display | |
| Screen Size | 75 inch |
| Backlight | DLED |
| Pixel Pitch | 0.14325(H) × 0.42975(V) mm |
| Resolution | 3840 × 2160 @60 Hz |
| Brightness | 400 cd/m ² (Typ.) |
| Color Depth | 10 bit |
| Display Color | 1.07 G |
| Response Time | 5 ms |
| Panel Type | VA |
| Contrast Ratio | 5000:1 (Static) 30,000:1 (Dynamic) |
| Color Gamut | 72% NTSC (CIE1931) (Typ.) |
| Refresh Rate | 60 Hz |
| Viewing Angle | 178° (H)/178° (V) |
| Aspect Ratio | 16:9 |
| Surface Hardness | 9H (Pencil) 7 (Mohs) |
| Surface Glass | Anti-Glare Glass |
| Surface Haze | 25% Haze |
| Glass Bonding Method | Zero Lamination |
| Display Area | 1650.24mm x 928.26mm |
| Working Duration | 7 × 16 H |
| Transmittance | 88% ± 3 |
| Lifespan | 50,000 hours |
| Touch | |
| Type | Infrared Touch Screen |
| Touch Point | Up to 50-point multi-touch |
| Touch Response Time | ≤ 2 ms |
| Minimum Touch Object | ≥ 1.5 mm (≥ 90% touching area) |
| Touch Precision | ± 0.5 mm (≥ 90% touching area) |
| Touch Resolution | 32767 × 32767 |
| Built-in System | |
| Operation System | Android 13.0 |
| Memory | 8 GB |
| Built-in Storage | 128 GB |
| Processor | Quad-core Cortex-A76 × 4 (2.4 GHz) and quad-core Cortex-A55 × 4 (1.8 GHz) |
| GPU | Mali-G610 MC4 |
| HDCP Version | 2.3 |
| Camera | |
| Pixel | Pixel 48MP for Photos & 8 MP for Video |
| Camera Function | Support intelligent switching between Android system, OPS, and PC. |

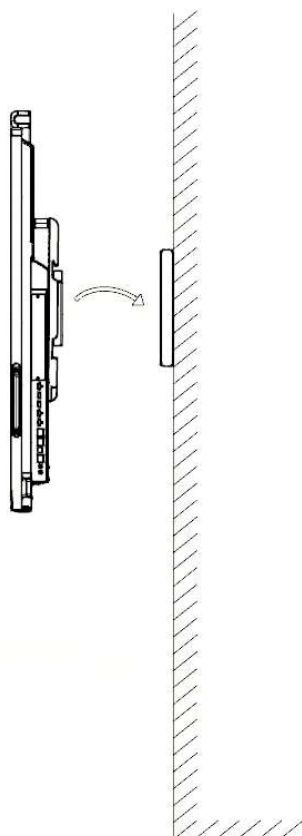
| | |
|--------------------------------|--|
| Field Angle | 120°(diagonal), 110°(horizontal), 75°(vertical) |
| Distortion | ≤2.5% |
| Camera Resolution Ratio | Up to 4K |
| Microphone | |
| Specification | Omni-directional 8-array layout |
| Mic Function | Echo reduction and smart noise-cancellation |
| Voice Distance | 12 m |
| Sampling Rate | 32 K |
| Mic Depth | 16 bit |
| Internal Function | |
| Loudspeaker | Built-in 2 × 20 W+25W loudspeaker; |
| Bluetooth | Built-in BLE (Bluetooth Low Energy) module supports Bluetooth 5.1 |
| NFC | Support screen mirroring by Android phones |
| Light Sensor | Yes |
| Image Processing Technology | Support 3D digital noise reduction, face detection, automatic white balance, automatic purple edge removal, automatic defogging; support shadow correction . |
| Audio Processing Technology | Support dereverberation, adaptive noise reduction, adaptive non-stationary noise reduction, adaptive echo cancellation, automatic gain control, automatic electrical level control, sound source localization, speech dynamic detection, digital beam forming, speech detection. |
| Interface | |
| Video & Audio Input | HDMI In (HDMI 2.0) × 3, VGA In × 1, DP In (DP 1.2) × 1, Audio In × 1 |
| Video & audio output | HDMI Out (HDMI 2.0) × 1, Audio Out × 1, SPDIF Out × 1 |
| Control interface | TOUCH-USB 3.0 × 3, RS232 × 1 |
| Network Interface | LAN (1000 Mbps) × 2 WIFI AP & Station, 2.4G/5G WIFI 6, IEEE 802.11 a/b/g/n/ac/ax 2 × 2 MIMO (2.4 GHz and 5 GHz) authentication protocols WEP, WPA, WPA2, PSK and 802.1X EAP |
| Data Transmission Interface | USB 3.0 × 4, USB 2.0 × 1, Type-C × 2 (Type-C supports USB 2.0, DP 1.2, and charging functions; side charging 15 W, front charging 65 W) |
| Power | |
| Power Supply | 100 to 240 VAC, 50/60 Hz |
| Standby Consumption | ≤ 0.5 W |
| Average Consumption | < 150W |
| General | |
| VESA | 800 mm × 400 mm (4 × M8-25 mm) |
| Product dimensions | 1713.2 mm × 1034.5 mm × 82.5 mm |
| Accessory | Wall mount bracket, hook, user manual, touch writing pen, packing list, 3 M touch USB cable, 3.5M HDMI cable (2.0), power cable , bluetooth remote control. |
| Package Dimensions (W × H × D) | 1937 mm × 264 mm × 1222 mm |
| Net Weight | 51.23 kg |
| Gross Weight | 67.62 kg |
| Working Environment | |
| Working Temperature | 0 °C to 40 °C (32 °F to 104°F) |
| Working Humidity | 10%~90% RH |

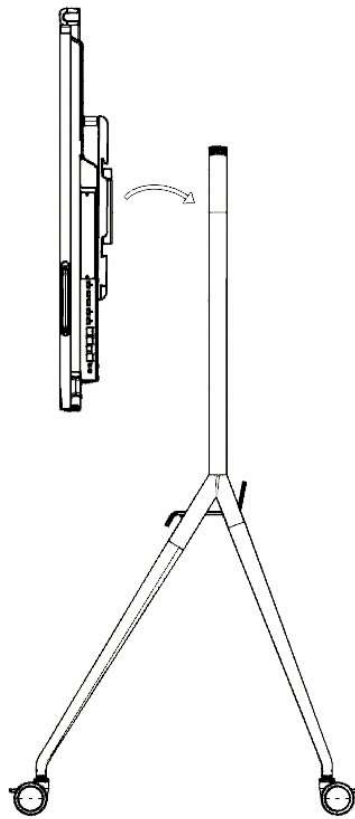
Physical Interface

| Interface | Description | Interface | Description |
|----------------|--------------------------------|----------------|------------------------------------|
| 1.SPDIFF | SPDIFF interface | 2.Line OUT | Audio output interface |
| 3.Line IN | Audio input interface | 4.VGA IN | Video devices connection interface |
| 5.TYPE-C | Type-C interface | 6.DP IN | Display input interface |
| 7.TOUCH-USB 2 | Peripheral touch interface | 8.HDMI IN 2 | HDMI 2 input interface |
| 9.TOUCH-USB | Peripheral touch interface | 10.HDMI IN 1 | HDMI 1 input interface |
| 11.USB | USB interface | 12.MULTI-USB 2 | Multi-functional USB interface |
| 13.MULTI-USB 1 | Multi-functional USB interface | 14.HDMI OUT | HDMI output interface |
| | | | |



Installation



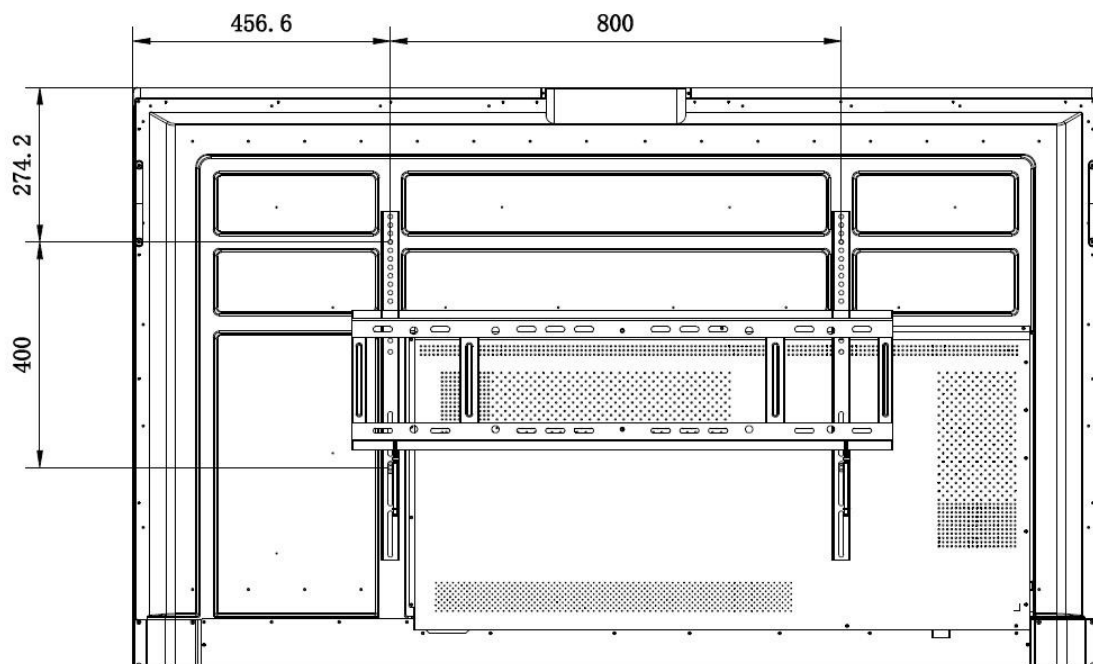


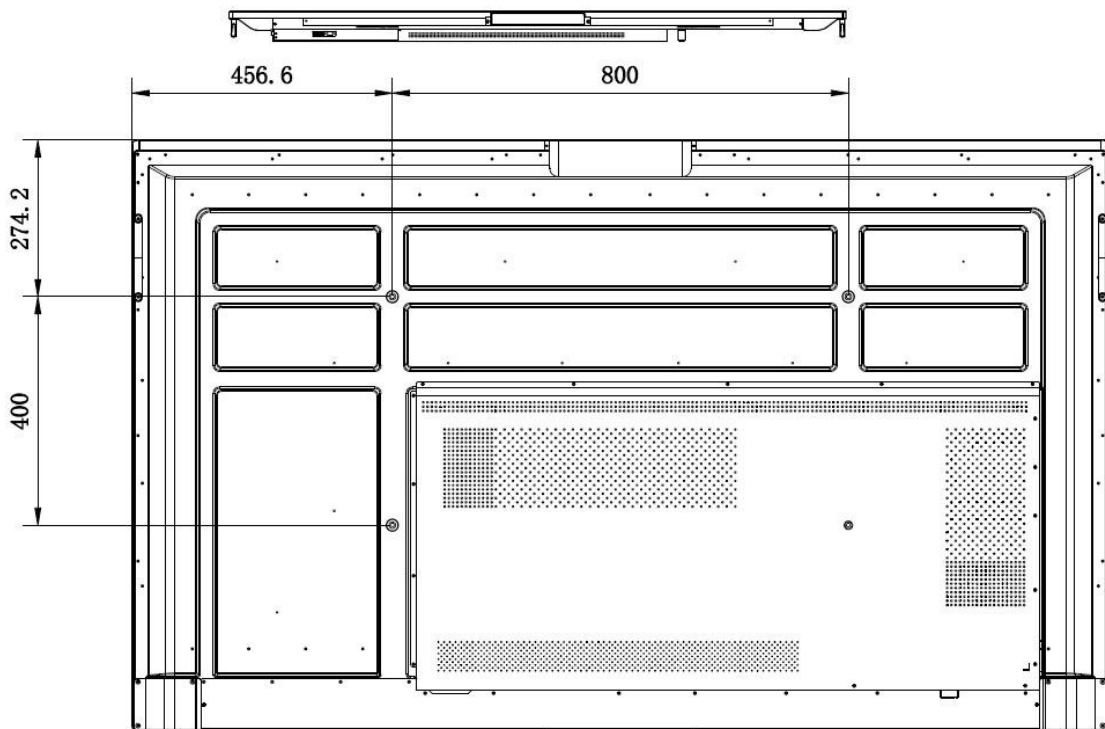
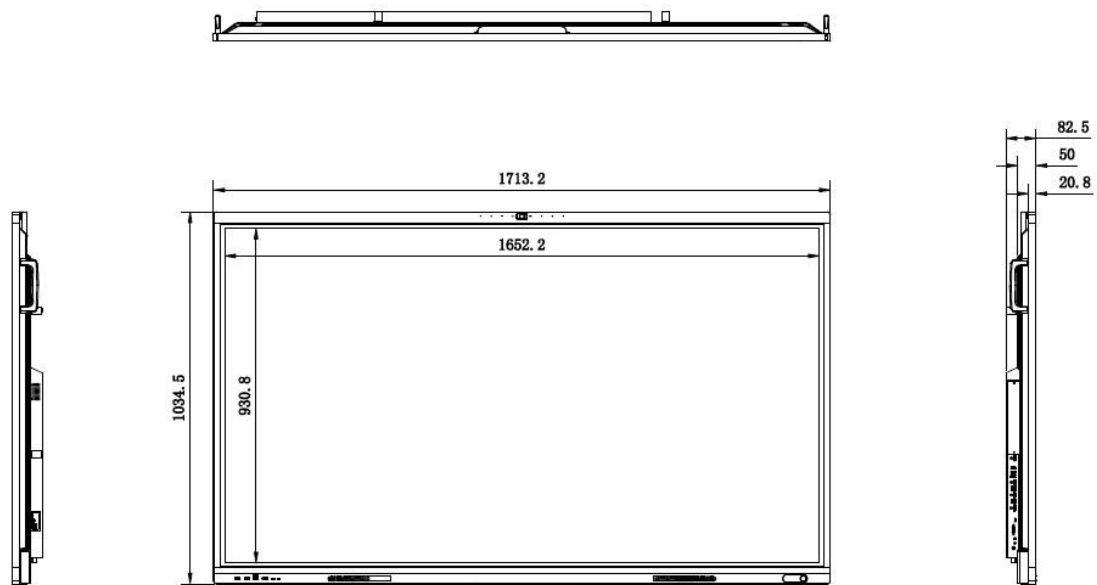
▪ **Available Model**

DS-D5C75RB/B

DS-D5C75RB/B(EDLA)

▪ **Dimension**





▪ Accessory

▪ Optional

| DS-D5ABKY2-M 75-86" Conference Flat Panel Brackets | DS-D5AC12T5-8S2 OPS Module | DS-D5AC12T7-16S5 OPS Module |
|---|---|--|
|  |  |  |